

60A19.5-F

Adapter for 60SMS Laser Beam Couplers Flange mount 1"x1"

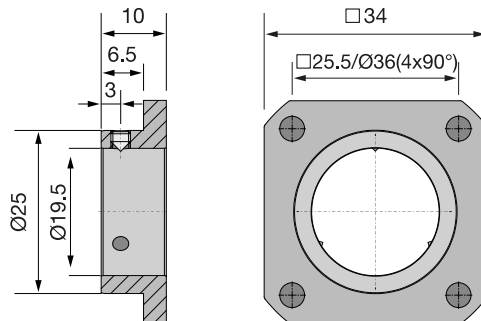


FEATURES

Adapter for flange mount of the [60SMS](#) Laser Beam Couplers to laser systems with a standard drilling pattern 1"x1"

- System mount Ø 19.5 mm
- Flange mount 1"x1"

DESCRIPTION



DOWNLOADS



[930730070300.pdf \(Dimensional drawing\)](#)

ACCESSORIES

50HD-15	Hex key WS 1.5
60A19.5-F-MS	Mounting set for type 60A19.5 adapters

RELATED PRODUCTS

ADAPTERS FOR 60SMS, 60SMF, AND 60FC-A19.5	with system mount Ø 19.5 mm
LASER BEAM COUPLERS SERIES 60SMS	for coupling into single-mode and polarization- maintaining fiber cables

This is a printout of the page https://sukhamburg.com/products/details/60A19_5-F from 4/25/2024

CONTACT

For more information please contact:

Schäfter + Kirchhoff GmbH
Kieler Str. 212
22525 Hamburg
Germany
Tel: +49 40 85 39 97-0
Fax: +49 40 85 39 97-79

info@sukhamburg.de
www.sukhamburg.com

LEGAL NOTICE

Copyright 2020 Schäfter+Kirchhoff GmbH. All rights reserved.

Text, image, graphic, sound, video and animation files and their arrangement on Schäfter+Kirchhoff GmbH webpages are protected by copyright and other protective laws. The content may not be copied for commercial use or reproduced, modified or used on other websites. [\[more\]](#)