

## 48MC-MP-19.5-Ti

Mounting plate for the Schäfter+Kirchhoff multicube™ system



### FEATURES

Mounting plate for the Schäfter+Kirchhoff multicube™ system.  
 For integration of components with Ø 19.5 mm system mount such as [60SMS](#) Laser Beam Couplers. Made of Titanium.

- Discontinued

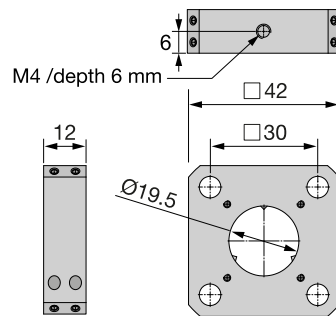


## TECHNICAL DATA

48MC-MP-19.5-Ti

<b>Order Code</b>	48MC-MP-19.5-Ti
<b>Dimensions</b>	42 x 42 x 12 mm
<b>Fitting bore</b>	Ø 19.5 mm
<b>Material</b>	Titanium
<b>Weight</b>	
<b>RoHS compliant</b>	Yes

Dimensions (for a complete dimensional drawing please refer to the downloads section)



## TECHNOTES

- [Multicube Compatability](#)  
[Compatability to other cage systems](#)

## FAQ

### Compatability of the multicube system

#### Is my system compatible to established 30 mm cage systems or microbench systems?

The multicube components of series 48 have a rod hole distance of 30 mm. You can attach systems based on those components easily to a 30 mm cage systems or microbench system. More informaion can be found [here](#).

If you are working with a system based on series 68, there are adapters available, so that they can be used with 30 mm cage systems as well.

#### Is my system compatible to established 60 mm cage systems?

The multicube components of series 68 have a rod hole distance of 60 mm. You can attach systems based on those components easily to a 60 mm cage systems or microbench system. More informaion can be found [here](#).

If you are working with a system based on series 48, there are adapters available, so that they can be used with 60 mm cage systems as well.

## DOWNLOADS



[980910330301\\_kuz.pdf \(Dimensional drawing\)](#)

## RELATED PRODUCTS

**48MC MOUNTING  
PLATES**

Base unit for multicube™ system. Compatible with established cage and microbech systems

**MULTICUBE  
COMPONENTS**

Multicube Components like mounting plates, cubes etc.

This is a printout of the page [https://sukhamburg.com/products/details/48MC-MP-19\\_5-Ti](https://sukhamburg.com/products/details/48MC-MP-19_5-Ti) from 9/23/2023

## CONTACT

For more information please contact:

Schäfter + Kirchhoff GmbH

Kieler Str. 212

22525 Hamburg

Germany

Tel: +49 40 85 39 97-0

Fax: +49 40 85 39 97-79

[info@sukhamburg.de](mailto:info@sukhamburg.de)

[www.sukhamburg.com](http://www.sukhamburg.com)

## LEGAL NOTICE

**Copyright 2020 Schäfter+Kirchhoff GmbH. All rights reserved.**

Text, image, graphic, sound, video and animation files and their arrangement on Schäfter+Kirchhoff GmbH webpages are protected by copyright and other protective laws. The content may not be copied for commercial use or reproduced, modified or used on other websites. [\[more\]](#)