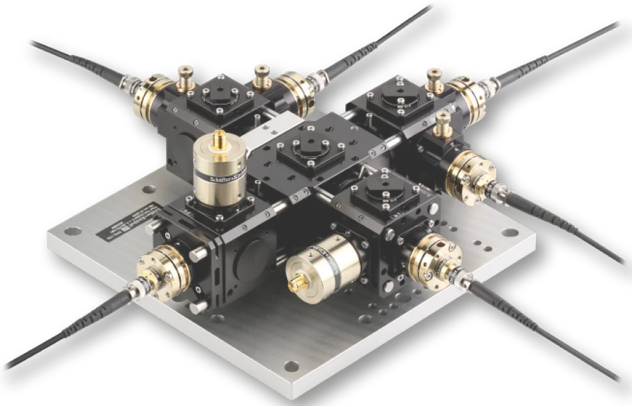


## 48-FPC-2-4-xxx

Fiber Port Cluster 2 → 4



### FEATURES

Fiber Port Cluster type 48-FPC-2-4-xxx for two input sources with the same wavelength.

- Configuration 2 → 4
- Highly efficient coupling into polarization-maintaining fiber cables
- Adjustable splitting ratio
- Compact, rugged, transportable and sealed opto-mechanical units
- Fully fiber-coupled
- Very high long-term stability, efficiency and reproducibility

## DESCRIPTION

This Fiber Port Clusters 2 → 4 is a compact opto-mechanical unit that combines two fiber-coupled sources with same wavelengths and then splits the combined radiation into 4 output fiber cables with high efficiency and variable splitting ratio.

### Optical Setup

The two input ports are fiber-coupled to [PM fiber cables](#). Polarizers define the input polarization which is necessary for a long term stable splitting ratio.

Two photo diodes right after each input port allow for a continuous monitoring of the radiation. The two input sources are superimposed by means of a polarization beam splitter.

Subsequently, the radiation splitting is achieved by using a cascade of rotary half-wave plates in combination with polarization beam splitters. By use of the rotary half-wave plates, almost any desired splitting ratio can be achieved, see the tech note [FiberPortCluster\\_2-6\\_Balancing.pdf](#) for the limitations.

At the output ports further polarizers are placed in order to define the polarization at output of the system.

An additional attenuator at each output port allows for a fine-balancing.

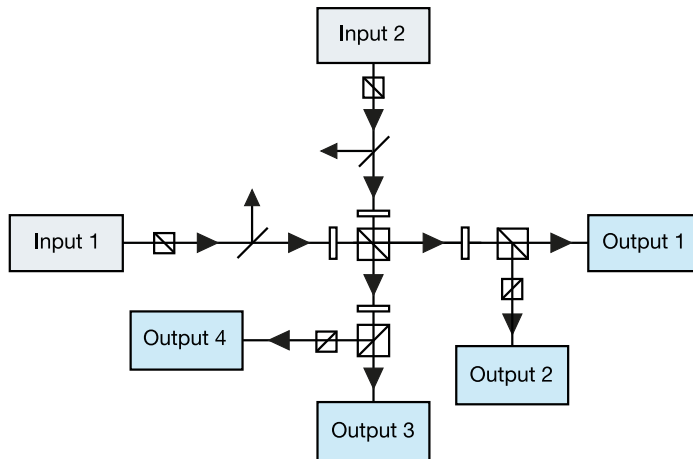
### Fiber Couplers

A fundamental component of a Fiber Port Cluster is the [Laser Beam Coupler](#), which is the input into the opto-mechanical unit collimating the input radiation and, finally, couples the radiation back into the polarization-maintaining fiber cables. The stability of the total Fiber Port Cluster is determined by the [stability](#) of the laser beam coupler.

**How to order**

For a detailed quotation please additionally specify

- Wavelength
- Cable lengths
- Connector types



**TECHNICAL DATA**

48-FPC-2-4-xxx

<b>Order Code</b>	48-FPC-2-4-xxx
<b>Configuration</b>	2 → 4
<b>Wavelengths*</b>	589, 671, 767, 773, 780, 852 nm
<b>Fiber type</b>	polarization-maintaining
<b>Connector type</b>	FC APC (standard)
<b>Cable lengths</b>	Customer-specific
<b>Wave plate type</b>	low order (773 nm: zero order)
<b>Power monitor</b>	BPX-61 (SMA)
<b>Transmission</b>	≥ 70 % @ 780 nm
<b>Polarization Extinction Ratio</b>	≥ 23 dB @ 780 nm
<b>Balancing</b>	see technote
<b>Weight</b>	approx. 2700 g

\* Different wavelength combinations on request

**TECHNOTES**

- [Article - Fiber Port Cluster](#)  
[Rugged, modular and fiber coupled beam splitting and combining units](#)
- [Connecting multicube assemblies to a base plate](#)  
[How to connect the self-supporting multicube system](#)

## DOWNLOADS



[980129090429.pdf \(Dimensional drawing\)](#)



[FiberPortCluster\\_2-6\\_Balancing.pdf \(Technote\)](#)



[Article\\_Cluster.pdf \(Technote\)](#)

## RELATED PRODUCTS

**FIBER COLLIMATOR  
60FC-Q**

Fiber Collimator for collimating large beam diameters and with integrated quarter-wave plate

**POLARIZATION  
ANALYZER SK010PA**

Measurement tool for coupling into polarization-maintaining fiber cables

**FIBER COLLIMATOR  
SERIES 60FC-SF**

Fiber Collimator/Fiber Coupler with super-fine thread

This is a printout of the page <https://sukhamburg.com/products/details/48-FPC-2-4-xxx> from 6/1/2023

## CONTACT

For more information please contact:

Schäfter + Kirchhoff GmbH

Kieler Str. 212

22525 Hamburg

Germany

Tel: +49 40 85 39 97-0

Fax: +49 40 85 39 97-79

[info@sukhamburg.de](mailto:info@sukhamburg.de)

[www.sukhamburg.com](http://www.sukhamburg.com)

## LEGAL NOTICE

**Copyright 2020 Schäfter+Kirchhoff GmbH. All rights reserved.**

Text, image, graphic, sound, video and animation files and their arrangement on Schäfter+Kirchhoff GmbH webpages are protected by copyright and other protective laws. The content may not be copied for commercial use or reproduced, modified or used on other websites. [\[more\]](#)