

13LTM-1000-41+90CM-405-3-Y07-M60-C-6

Semi-telecentric Macro Line Generator Semi-telecentric Macro Line Generator

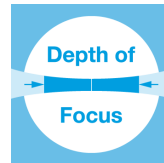


FEATURES

Semi-telecentric laser line with constant line length 15mm, approx. uniform intensity distribution and extended depth of focus.

- Line length: 15 mm
- Line width: 146 μm
- Wavelength: 405 nm
- Working distance: 988 mm
- Depth of focus: 113 mm

- Macro Line Generator for extended depth of focus



DESCRIPTION

The laser diode beam source type 13LTM-1000-41+90CM-405-3-Y07-M60-C-6 produces a semi-telecentric laser line with 15 mm line length and extended depth of focus. The intensity profile is approx. uniform in line direction. More precisely, it is Gaussian clipped by an aperture with an edge intensity of 70 %. The line width is constant along the laser line. Across the laser line the intensity distribution is approx. Gaussian.

The laser has integrated electronics [type C](#) for control of the laser output power. The output power can be controlled using the [modulation input ports \(TTL and analog\)](#), or manually using the potentiometer.

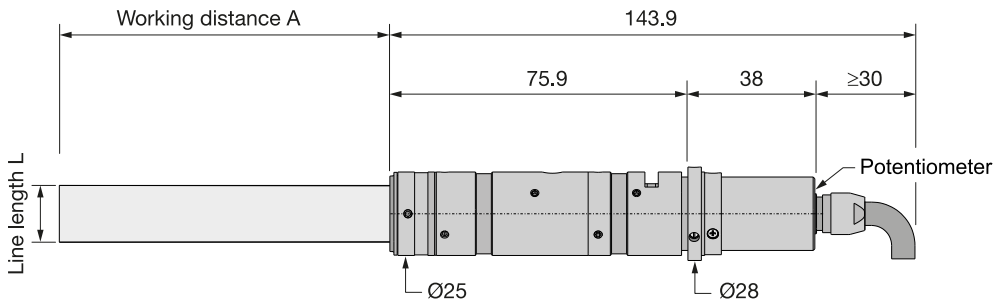
For this laser type the working distance is fixed. A fine-adjustment of the distance between laser and target is recommended for fine-focusing in order to achieve minimal line width.

TECHNICAL DATA

13LTM-1000-41+90CM-405-3-Y07-M60-C-6

Series	13LTM	
Order Code	13LTM-1000-41+90CM-405-3-Y07-M60-C-6	
Line profile	Constant Intensity Distribution	
Line type	Laser Macro Line	
Wavelength	405 +5/-5 nm	
Laser output power	3 mW	
Laser safety class	3R	
Focussing range	988-988 mm	
Working distance	988 mm	
Line length	15 mm	
Line width	0.146 mm	
Depth of focus	113 mm	
Edge intensity	70 %	
Diameter laser module	25/28 mm	
Module length	127.3 mm	
Installation length	1145.3 mm	
Cable length	1.5 m	
Connector type	Lumberg SV50 IEC 61076-2-106	
Supply voltage	5 ± 0.2 V	
Max. current consumption	0.5 A	
Working temperature	0 - 40 °C	
Modulation inputs	Analog	TTL
Input resistance	22 kOhm	22 kOhm
Max. modulation frequency	100 kHz	100 kHz
Modulation delay ON/OFF	1/0.5 µs	2/1 µs
Rise / Fall time	3/2 µs	3/2 µs

Dimensions (for a complete dimensional drawing please refer to the downloads section)



DOWNLOADS



[951210000045.pdf](#)

ACCESSORIES

9D-12 Screwdriver WS 1.2

PS051003E Power Supply 5 V

RELATED PRODUCTS

**LASER MODULES
SERIES 13LT**

- Semi-telecentric Micro Line
- Uniform intensity distribution
- Constant line length **15 mm**

**LASER MODULES
SERIES
LNC-13LTM**

- Semi-telecentric Macro Line
- Uniform intensity distribution
- Constant line length **15 mm**
- Extended depth of focus
- Low noise

**LASER MODULES
SERIES 5LTM-1+25CM**

- **Compact** semi-telecentric Macro Line
- Gaussian intensity distribution
- Constant line length ca. **4.8 mm**
- Extended depth of focus

LASER MODULES
SERIES 5LTM-2+25CM

- **Compact** semi-telecentric Macro Line
- Gaussian intensity distribution
- Constant line length ca. **2 mm**
- Extended depth of focus

LASER MODULES
SERIES 5LTM-1

- Semi-telecentric Macro Line
- Gaussian intensity distribution
- Constant line length ca. **4.8 mm**
- Extended depth of focus

LASER MODULES
SERIES 5LTM-2

- Semi-telecentric Macro Line
- Gaussian intensity distribution
- Constant line length ca. **2 mm**
- Extended depth of focus

This is a printout of the page https://sukhamburg.com/products/details/13LTM-1000-41_90CM-405-3-Y07-M60-C-6 from 4/25/2024

CONTACT

For more information please contact:

Schäfter + Kirchhoff GmbH
Kieler Str. 212
22525 Hamburg
Germany
Tel: +49 40 85 39 97-0
Fax: +49 40 85 39 97-79

info@sukhamburg.de
www.sukhamburg.com

LEGAL NOTICE

Copyright 2020 Schäfter+Kirchhoff GmbH. All rights reserved.

Text, image, graphic, sound, video and animation files and their arrangement on Schäfter+Kirchhoff GmbH webpages are protected by copyright and other protective laws. The content may not be copied for commercial use or reproduced, modified or used on other websites. [\[more\]](#)