

13LT-2000+90CM-639-8-H18-M60-C-6

Semi-telecentric Micro Line Generator



FEATURES

Semi-telecentric laser line with constant line length 15mm and approx. uniform intensity distribution.

- Line length: 15 mm
- Line width: 116 μm
- Wavelength: 639 nm
- Working distance: 1993 mm

- Micro Line Generator for small laser line widths and high power density in the focal plane



DESCRIPTION

The laser diode beam source type 13LT-2000+90CM-639-8-H18-M60-C-6 produces a semi-telecentric laser line with 15 mm line length. The intensity profile is approx. uniform in line direction. More precisely, it is Gaussian clipped by an aperture with an edge intensity of 87 %. The line width is constant along the laser line. Across the laser line the intensity distribution is Gaussian.

The laser has integrated electronics [type C](#) for control of the laser output power. The output power can be controlled using the [modulation input ports \(TTL and analog\)](#), or manually using the potentiometer.

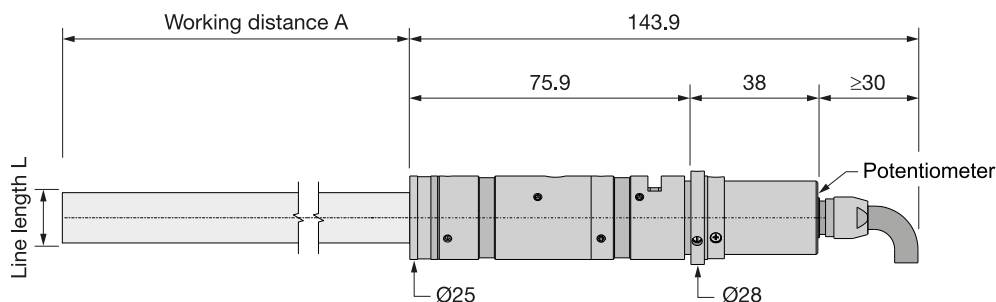
For this laser type the working distance is fixed. A fine-adjustment of the distance between laser and target is recommended for fine-focusing in order to achieve minimal line width.

TECHNICAL DATA

13LT-2000+90CM-639-8-H18-M60-C-6

Series	13LT	
Order Code	13LT-2000+90CM-639-8-H18-M60-C-6	
Line profile	Constant Intensity Distribution	
Line type	Laser Micro Line	
Wavelength	639 +10/-10 nm	
Laser output power	8 mW	
Laser safety class	3B	
Focussing range	1993-1993 mm	
Working distance	1993 mm	
Line length	15 mm	
Line width	0.116 mm	
Rayleigh range	33.2 mm	
Edge intensity	87 %	
Diameter laser module	25/28 mm	
Module length	121.9 mm	
Installation length	2144.9 mm	
Cable length	1.5 m	
Connector type	Lumberg SV50 IEC 61076-2-106	
Supply voltage	5 ± 0.2 V	
Max. current consumption	0.25 A	
Working temperature	0 - 40 °C	
Modulation inputs	Analog	TTL
Input resistance	22 kOhm	22 kOhm
Max. modulation frequency	100 kHz	100 kHz
Modulation delay ON/OFF	1/0.5 µs	2/1 µs
Rise / Fall time	3/2 µs	3/2 µs

Dimensions (for a complete dimensional drawing please refer to the downloads section)



DOWNLOADS



[951210000053.pdf](#)

ACCESSORIES

9D-12 Screwdriver WS 1.2

PS051003E Power Supply 5 V

RELATED PRODUCTS

LASER MODULES SERIES 13LTM

- Semi-telecentric Macro Line
- Uniform intensity distribution
- Constant line length **15 mm**
- Extended depth of focus

LASER MODULES SERIES LNC-13LT

- Semi-telecentric Micro Line
- Uniform intensity distribution
- Constant line length **15 mm**
- Low noise

LASER MODULES SERIES 5LT-1+25CM

- **Compact** semi-telecentric Micro Line
- Gaussian intensity distribution
- Constant line length ca. **4.8 mm**

LASER MODULES SERIES 5LT-2+25CM

- **Compact** semi-telecentric Micro Line
- Gaussian intensity distribution
- Constant line length ca. **2 mm**

**LASER MODULES
SERIES 5LT-1**

- Semi-telecentric Micro Line
- Gaussian intensity distribution
- Constant line length ca. **4.8 mm**

**LASER MODULES
SERIES 5LT-2**

- Semi-telecentric Micro Line
- Gaussian intensity distribution
- Constant line length ca. **2 mm**

This is a printout of the page https://sukhamburg.com/products/details/13LT-2000_90CM-639-8-H18-M60-C-6 from 6/4/2023

CONTACT

For more information please contact:

Schäfter + Kirchhoff GmbH

Kieler Str. 212

22525 Hamburg

Germany

Tel: +49 40 85 39 97-0

Fax: +49 40 85 39 97-79

info@sukhamburg.de

www.sukhamburg.com

LEGAL NOTICE

Copyright 2020 Schäfter+Kirchhoff GmbH. All rights reserved.

Text, image, graphic, sound, video and animation files and their arrangement on Schäfter+Kirchhoff GmbH webpages are protected by copyright and other protective laws. The content may not be copied for commercial use or reproduced, modified or used on other websites. [\[more\]](#)