

13LT-165+90CM-785-51-Q06-M60-CS-7

Semi-telecentric Micro Line Generator

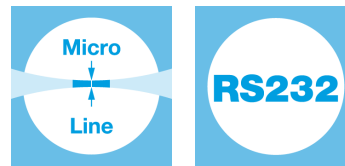


FEATURES

Semi-telecentric laser line with constant line length 15mm and approx. uniform intensity distribution.

- Line length: 15 mm
- Line width: 14 μm
- Wavelength: 785 nm
- Working distance: 163 mm

- Micro Line Generator for small laser line widths and high power density in the focal plane
- With RS232 interface



DESCRIPTION

The laser diode beam source type 13LT-165+90CM-785-51-Q06-M60-CS-7 produces a semi-telecentric laser line with 15 mm line length. The intensity profile is approx. uniform in line direction. More precisely, it is Gaussian clipped by an aperture with an edge intensity of 61 %. The line width is constant along the laser line. Across the laser line the intensity distribution is Gaussian.

The laser has integrated electronics [type CS](#) for control of the laser output power and serial interface (RS232). The output power can be controlled using the [modulation input ports \(TTL and analog\)](#), or manually using the potentiometer.

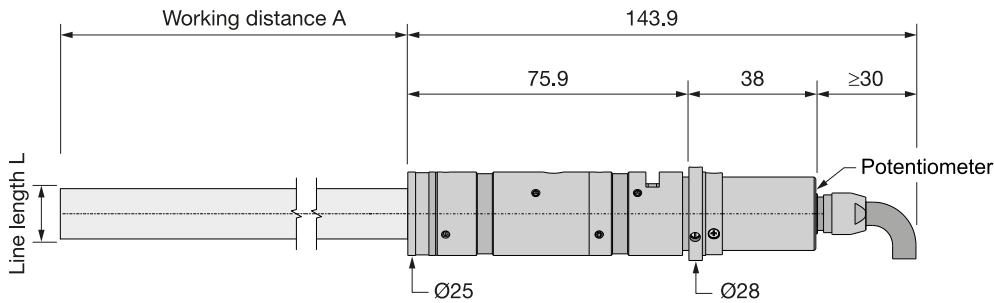
For this laser type the working distance is fixed. A fine-adjustment of the distance between laser and target is recommended for fine-focusing in order to achieve minimal line width.

TECHNICAL DATA

13LT-165+90CM-785-51-Q06-M60-CS-7

Series	13LT	
Order Code	13LT-165+90CM-785-51-Q06-M60-CS-7	
Line profile	Constant Intensity Distribution	
Line type	Laser Micro Line	
Wavelength	785 +10/-10 nm	
Laser output power	51 mW	
Laser safety class	3B	
Focussing range	163-163 mm	
Working distance	163 mm	
Line length	15 mm	
Line width	0.014 mm	
Rayleigh range	0.278 mm	
Edge intensity	61 %	
Diameter laser module	25/28 mm	
Module length	121.9 mm	
Installation length	314.9 mm	
Cable length	1.5 m	
Connector type	Lumberg SV70 IEC 61076-2-106	
Supply voltage	5 ± 0.2 V	
Max. current consumption	0.25 A	
Working temperature	0 - 40 °C	
Modulation inputs	Analog	TTL
Input resistance	9 kOhm	9 kOhm
Max. modulation frequency	0.001 kHz	250 kHz
Modulation delay ON/OFF	3000/3000 µs	0.5/0.2 µs
Rise / Fall time	200000/200000 µs	0.8/0.4 µs
Interface	RS232	

Dimensions (for a complete dimensional drawing please refer to the downloads section)



DOWNLOADS



[951210000053.pdf](#)

ACCESSORIES

9D-12

Screwdriver WS 1.2

PS051007E

Power Supply 5 V for laser modules with RS232 interface

RELATED PRODUCTS

LASER MODULES
SERIES 13LTM

- Semi-telecentric Macro Line
- Uniform intensity distribution
- Constant line length **15 mm**
- Extended depth of focus

LASER MODULES
SERIES
LNC-13LT

- Semi-telecentric Micro Line
- Uniform intensity distribution
- Constant line length **15 mm**
- Low noise

LASER MODULES
SERIES 5LT-1+25CM

- **Compact** semi-telecentric Micro Line
- Gaussian intensity distribution
- Constant line length ca. **4.8 mm**

LASER MODULES
SERIES 5LT-2+25CM

- **Compact** semi-telecentric Micro Line
- Gaussian intensity distribution
- Constant line length ca. **2 mm**

LASER MODULES
SERIES 5LT-1

- Semi-telecentric Micro Line
- Gaussian intensity distribution
- Constant line length ca. **4.8 mm**

LASER MODULES
SERIES 5LT-2

- Semi-telecentric Micro Line
- Gaussian intensity distribution
- Constant line length ca. **2 mm**

This is a printout of the page https://sukhamburg.com/products/details/13LT-165_90CM-785-51-Q06-M60-CS-7 from 6/4/2023

CONTACT

For more information please contact:

Schäfter + Kirchhoff GmbH

Kieler Str. 212

22525 Hamburg

Germany

Tel: +49 40 85 39 97-0

Fax: +49 40 85 39 97-79

info@sukhamburg.de

www.sukhamburg.com

LEGAL NOTICE

Copyright 2020 Schäfter+Kirchhoff GmbH. All rights reserved.

Text, image, graphic, sound, video and animation files and their arrangement on Schäfter+Kirchhoff GmbH webpages are protected by copyright and other protective laws. The content may not be copied for commercial use or reproduced, modified or used on other websites. [\[more\]](#)