

## 13LR40-S1000+55CM-1550-25-Q04-T12-P-6

Laser Micro Line Generator with a fan angle



### FEATURES

Laser line with a fan angle and approx. uniform intensity distribution.

- Line length: 698 mm
- Line width: 535  $\mu\text{m}$
- Wavelength: 1550 nm
- Working distance: 973 mm

- 
- Micro Line Generator for small laser line widths and high power density in the focal plane



## DESCRIPTION

The laser diode beam source type 13LR40-S1000+55CM-1550-25-Q04-T12-P-6 has a fan angle of  $40^\circ$  with a constant line width and approx. uniform intensity distribution along the laser line.

The fine-structure is a [chain of equidistant dots](#) with a spacing of approx. the line width. The line width is constant along the laser line. Across the laser line the intensity distribution is Gaussian.

The laser has integrated electronics [type P](#) with micro-controller for control of the laser output power. The output power can be controlled using the [modulation input ports \(TTL and analog\)](#), or manually using the potentiometer.

The working distance can be adjusted by adjusting the focus setting. Please note that beam parameters like line length and line width increase proportionally to the working distance.

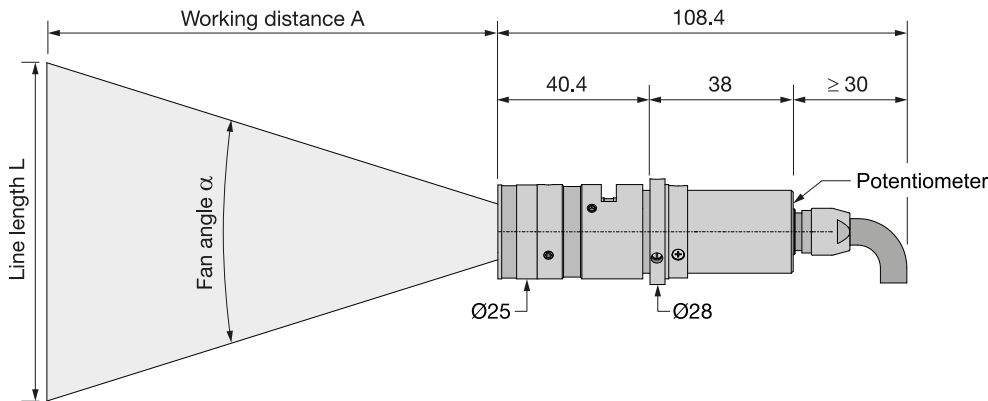
A fine-adjustment of the distance between laser and target is recommended for fine-focusing.

## TECHNICAL DATA

13LR40-S1000+55CM-1550-25-Q04-T12-P-6

<b>Series</b>	13LR	
<b>Order Code</b>	13LR40-S1000+55CM-1550-25-Q04-T12-P-6	
<b>Line profile</b>	Constant Intensity Distribution	
<b>Line type</b>	Laser Micro Line	
<b>Wavelength</b>	1550 +20/-20 nm	
<b>Laser output power</b>	25 mW	
<b>Laser safety class</b>	3R	
<b>Fan angle <math>\alpha</math></b>	40 deg	
<b>Focussing range</b>	815-1295 mm	
<b>Working distance</b>	973 mm	
<b>Line length</b>	698 mm	
<b>Line width</b>	0.535 mm	
<b>Rayleigh range</b>	290 mm	
<b>Edge intensity</b>	80 %	
<b>Diameter laser module</b>	25/28 mm	
<b>Module length</b>	78.4 mm	
<b>Installation length</b>	1081.4 mm	
<b>Cable length</b>	1.5 m	
<b>Connector type</b>	Lumberg SV50 IEC 61076-2-106	
<b>Supply voltage</b>	5 $\pm$ 0.2 V	
<b>Max. current consumption</b>	0.5 A	
<b>Working temperature</b>	15 - 40 °C	
<b>Modulation inputs</b>	Analog	TTL
<b>Input resistance</b>	9 kOhm	9 kOhm
<b>Max. modulation frequency</b>	0.01 kHz	250 kHz
<b>Modulation delay ON/OFF</b>	3000/3000 $\mu$ s	0.5/0.2 $\mu$ s
<b>Rise / Fall time</b>	40000/40000 $\mu$ s	0.5/0.5 $\mu$ s

Dimensions (for a complete dimensional drawing please refer to the downloads section)



## DOWNLOADS



[930412000105.pdf](#)

## ACCESSORIES

<b>50HD-15</b>	Hex key WS 1.5
<b>9D-12</b>	Screwdriver WS 1.2
<b>13MK-25-36-10-F</b>	Mounting Console with flat base plate
<b>13MK-25-36-10-M</b>	Mounting Console with base plate with dovetail profile
<b>PS051003E</b>	Power Supply 5 V

## RELATED PRODUCTS

### LASER MODULES SERIES 13LRM

- Macro Line Generator, fan angle
- Uniform intensity distribution
- Extended depth of focus

### LASER MODULES SERIES 13LN

- Micro Line, **small** fan angle
- Uniform intensity distribution
- Thin lines

**LASER MODULES  
SERIES 5LM+25CM**

- **Compact** Micro Line, **small** fan angle
- Gaussian intensity distribution

**LASER MODULES  
SERIES 5LP+25CM**

- **Compact** Micro Line, **large** fan angle
- Gaussian intensity distribution

**LASER MODULES  
SERIES 5LM**

- Micro Line, **small** fan angle
- Gaussian intensity distribution

**LASER MODULES  
SERIES 5LP**

- Micro Line, **large** fan angle
- Gaussian intensity distribution

This is a printout of the page [https://sukhamburg.com/products/details/13LR40-S1000\\_55CM-1550-25-Q04-T12-P-6](https://sukhamburg.com/products/details/13LR40-S1000_55CM-1550-25-Q04-T12-P-6) from 12/5/2023

## CONTACT

For more information please contact:

Schäfter + Kirchhoff GmbH

Kieler Str. 212

22525 Hamburg

Germany

Tel: +49 40 85 39 97-0

Fax: +49 40 85 39 97-79

[info@sukhamburg.de](mailto:info@sukhamburg.de)

[www.sukhamburg.com](http://www.sukhamburg.com)

## LEGAL NOTICE

**Copyright 2020 Schäfter+Kirchhoff GmbH. All rights reserved.**

Text, image, graphic, sound, video and animation files and their arrangement on Schäfter+Kirchhoff GmbH webpages are protected by copyright and other protective laws. The content may not be copied for commercial use or reproduced, modified or used on other websites. [\[more\]](#)