

Line Scan Camera SK8160VKO-XL

High resolution digital CCD camera with 100 MHz digital output
anti blooming and integration control. Gain and offset adjustable by PC.



Specifications

Sensor type:	CCD Monochrome Sensor
Pixel number:	8160
Pixel size:	5 x 5 μm^2
Pixel distance:	5 μm
Active sensor length:	40.8 mm
max. pixel frequency:	100 MHz
max. line frequency:	11.9 kHz
Anti blooming:	x
Integration Control:	x
Shading correction:	x
Threshold mode:	-
Spectral sensitivity:	350 - 900 nm
Dynamic range:	1:2500 (rms)

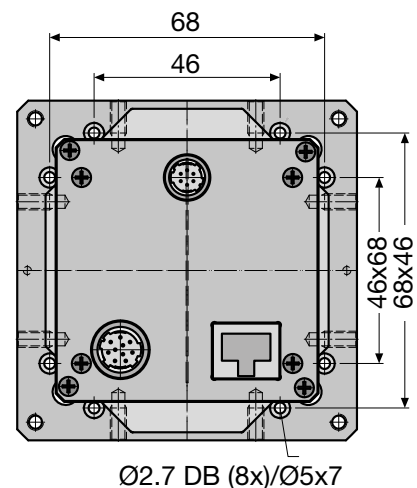
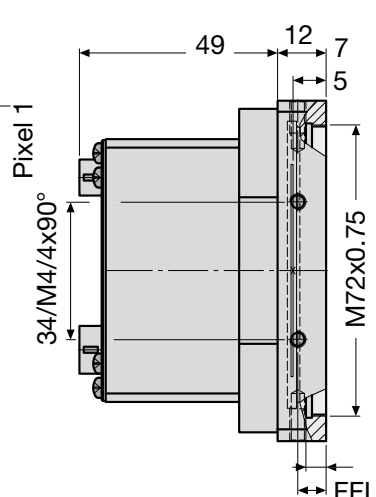
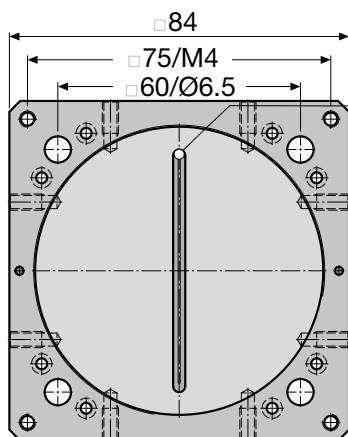
min. exposure time:	0.01 ms
max exposure time:	20 ms
Video signals:	monochrome 8/12 Bit digital
Signal in/out:	GigE Vision
Power supply:	+5V, +15V
Size:	84 mm x 84 mm x 62 mm
Case type:	CG5
Mass:	0.3 kg
Lens mount:	M72x0.75
Flange focal length:	8.2mm
Operating temperature:	+5 ... +45°C

Dimensions

CG5

Lens mount:
Flange focal length:

M72x0.75
FFL = 8 mm




Software



The Schäfter + Kirchhoff GigE Vision™ line scan cameras use the Gigabit Ethernet communication protocol and are 100% compliant with the GigE Vision™ specifications and the Gen<i>Cam™ standard. They implement a superset of the Gen<i>Cam™ specification which defines the device capabilities. The settings are made in the device feature list of any Gen<i>Cam™ compliant software.


The Gen<i>Cam™ standard provides a generic programming interface for all kinds of cameras and, no matter what features they implement, the application programming interface (API) always remains the same.

Accessories



CAT6 Network cable
Shielded CAT6 patch cable, halogen-free, both ends with RJ45 connectors for Gigabit Ethernet


CAT6.x **Order Code**
 _____ cable length 3 / 5 / 10 m or
 length according to choice,
 max. 100m



Power supply unit PS051515
 Input: 100-240 VAC, 0.8 A, 50/60 Hz
 IEC 60320 C14 coupler (for IEC C13 power cord)
 Output: +5VDC, 2.5 A / +15VDC, 0.5 A / -15VDC, 0.3 A
 Cable length: 1 m, with Lumberg connector KV60, female 6-pin

PS051515 **Order Code**
Power cord IEC 60320 C13, 1.5 m, 10 A, 250 VAC
 PC150DE **Order Code**
 _____ DE = Europe / US = USA, Canada, Japan /
 UK = United Kingdom


DE US UK



External synchronization cable SK9024...
for line scan cameras with GigE / GigE Vision™ interface.

Shielded cable with Hirose plug HR10A, female 12 pin (camera side), and Phoenix 4 pin connector incl. terminal block.


SK9024.x **Order Code**
 _____ cable length 3 / 5 m
 Other lengths on request



Power cable SK9015.x
for GigE Vision™, CameraLink and externally supplied USB3 line scan cameras.

Shielded cable with Hirose plug HR10A, female 6-pin (camera side), and Lumberg SV60, male 6-pin connector (power supply unit side).

SK9015.x **Order Code**
 _____ cable length 0.2 / 1.5 m




Adapter cable for sync signals CAB-ADSync-BNC-1
BNC/SMA (3x) to Line Scan Camera Synchronization Cable SK9016/SK9024/SK9026.

Shielded cable, length 0.25 m


Connectors:
 1x Phoenix 4-pin connector
 3x SMA plug (Line Sync A, Line Sync B, Frame Sync)
 3x adapter SMA socket (outside threading) to BNC-plug

CAB-ADSync-BNC-1 **Order Code**



Focus Adapter FA26-Sx **Order Code**
High-precision adapter with linear tracking rods for precise travel of the focussing encasement and for locking focus position. Focussing range 30 mm, 1 turn of the focussing ring corresponds to 10 mm. Screws for focus locking.

FA26-Sx **Order Code**
 _____ 45 = thread M45x0.75
 55 = thread M55x0.75



Lenses
• high resolution scan and macro lenses

Lens Adapters, thread M45x0.75
• M39x1/26" / AC43

Lens Adapters, thread M55x0.75
• M55x1/26" / AC46

Extension rings, thread M45x0.75
ZR-L-x **Order Code**
 _____ length 15 / 25 / 60 / 87 mm

Extension rings, thread M55x0.75
M55-L-x **Order Code**
 _____ length 15 / 25 / 60 mm