

Line Scan Camera SK8160GKO-XL

High resolution digital CCD camera with 100 MHz digital output
anti blooming and integration control. Gain and offset adjustable by PC.



Specifications

Sensor type:	CCD Monochrome Sensor
Pixel number:	8160
Pixel size:	5 x 5 μm^2
Pixel distance:	5 μm
Active sensor length:	40.8 mm
max. pixel frequency:	100 MHz
max. line frequency:	11.9 kHz
Anti blooming:	x
Integration Control:	x
Shading correction:	x
Threshold mode:	x
Spectral sensitivity:	350 - 900 nm
Dynamic range:	1:2500 (rms)

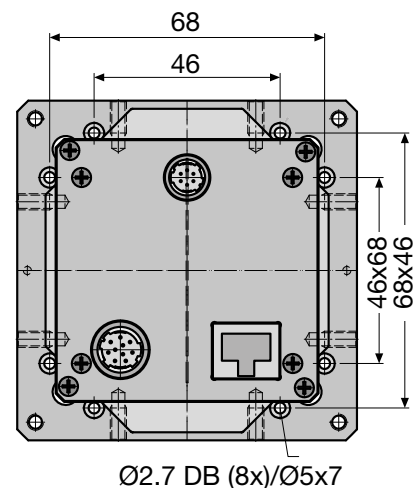
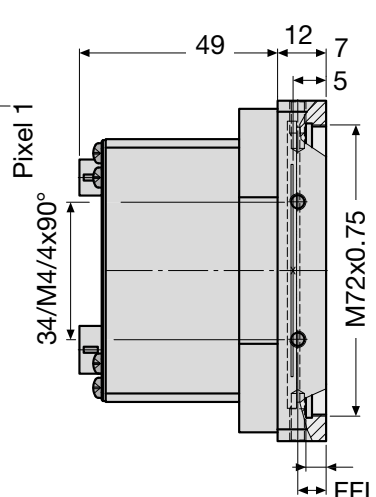
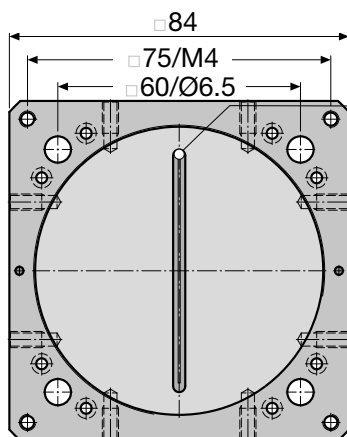
min. exposure time:	0.01 ms
max exposure time:	20 ms
Video signals:	monochrome 8/12 Bit digital
Signal in/out:	GigaBit Ethernet
Power supply:	+5V, +15V
Size:	84 mm x 84 mm x 62 mm
Case type:	CG5
Mass:	0.3 kg
Lens mount:	M72x0.75
Flange focal length:	8.2mm
Operating temperature:	+5 ... +45°C

Dimensions


CG5

Lens mount:
Flange focal length:


M72x0.75
FFL = 8 mm





Software


	Software SK91GigE-WIN Order Code SDK from Schäfter + Kirchhoff including the SKLineScan operating program, as well as API, C++ class library and examples. Operating systems: Windows 7 / 8.1 / 10 - x64 and x86
	SK91GigE-LV VI Order Code VI-Library for LabVIEW®, requires SK91GigE-WIN


Accessories


	CAT6 Network cable Shielded CAT6 patch cable, halogen-free, both ends with RJ45 connectors for Gigabit Ethernet CAT6.x Order Code cable length 3 / 5 / 10 m or length according to choice, max. 100 m
---	---

	Power supply unit PS051515 Input: 100-240 VAC, 0.8 A, 50/60 Hz IEC 60320 C14 coupler (for IEC C13 power cord) Output: +5VDC, 2.5 A / +15VDC, 0.5 A / -15VDC, 0.3 A Cable length: 1 m, with Lumberg connector KV60, female 6-pin PS051515 Order Code Power cord IEC 60320 C13, 1.5 m, 10 A, 250 VAC PC150DE Order Code DE = Europe / US = USA, Canada, Japan / UK = United Kingdom
---	---

	External synchronization cable SK9024... for line scan cameras with GigE / GigE Vision™ interface. Shielded cable with Hirose plug HR10A, female 12 pin (camera side), and Phoenix 4 pin connector incl. terminal block. SK9024.x Order Code cable length 3 / 5 m Other lengths on request
---	--

	Power cable SK9015.x for GigE Vision™, CameraLink and externally supplied USB3 line scan cameras. Shielded cable with Hirose plug HR10A, female 6-pin (camera side), and Lumberg SV60, male 6-pin connector (power supply unit side). SK9015.x Order Code cable length 0.2 / 1.5 m
---	---

	Adapter cable for sync signals CAB-ADSync-BNC-1 BNC/SMA (3x) to Line Scan Camera Synchronization Cable SK9016/SK9024/SK9026. Shielded cable, length 0.25 m Connectors: 1x Phoenix 4-pin connector 3x SMA plug (Line Sync A, Line Sync B, Frame Sync) 3x adapter SMA socket (outside threading) to BNC-plug CAB-ADSync-BNC-1 Order Code
---	--

	Focus Adapter FA26-Sx Order Code High-precision adapter with linear tracking rods for precise travel of the focussing encasement and for locking focus position. Focussing range 30 mm, 1 turn of the focussing ring corresponds to 10 mm. Screws for focus locking. FA26-Sx Order Code 45 = thread M45x0.75 55 = thread M55x0.75
---	---

	Lenses • high resolution scan and macro lenses Lens Adapters, thread M45x0.75 • M39x1/26" / AC43 Lens Adapters, thread M55x0.75 • M55x1/26" / AC46 Extension rings, thread M45x0.75 ZR-L-x Order Code length 15 / 25 / 60 / 87 mm Extension rings, thread M55x0.75 M55-L-x Order Code length 15 / 25 / 60 mm
---	--