

USB 3.0

- Robust cable connections
- Hot-pluggable
- Perfect for movable setups

monochrome**Schäfter + Kirchhoff**

Line Scan Camera SK7500U3TO-XL

High resolution CCD camera with 40 MHz pixel frequency



Specifications

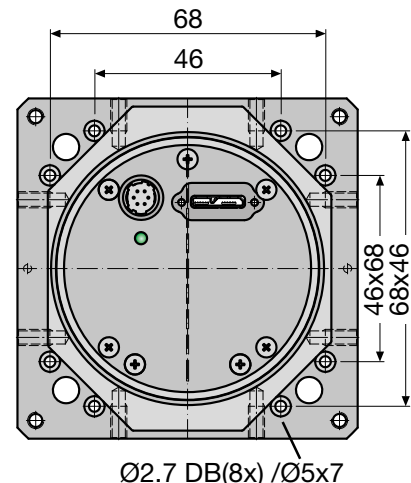
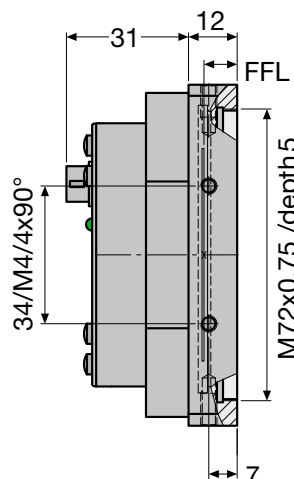
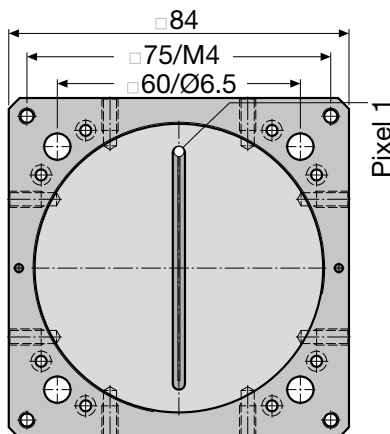
Sensor type:	CCD Monochrome Sensor
Pixel number:	7500
Pixel size:	7 x 7 μm^2
Pixel distance:	7 μm
Active sensor length:	52.5 mm
max. pixel frequency:	40 MHz
max. line frequency:	5.2 kHz
Anti blooming:	-
Integration Control:	-
Shading correction:	x
Threshold mode:	x
Spectral sensitivity:	400 - 900 nm
Dynamic range:	1:1000 (rms)

min. exposure time:	0.193 ms
max exposure time:	20 ms
Video signals:	monochrome 8/12 Bit digital
Signal in/out:	USB 3.0
Power supply:	USB (600 mA)
Size:	84 mm x 84 mm x 42.5 mm
Case type:	CT5
Mass:	0.3 kg
Lens mount:	M72x0.75
Flange focal length:	8.2mm
Operating temperature:	+5 ... +45°C


Dimensions

CT5

Lens mount: M72x0.75
Flange focal length: FFL = 8 mm



Software



Software

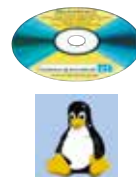
SK91USB3-WIN Order Code

SDK from Schäfter + Kirchhoff including the **SKLineScan** operating program, as well as API, C++ class library and examples.

Operating systems:
Windows 7 / 8.1 / 10 - x64 and x86

SK91USB3-LV VI Order Code

VI-Library for LabVIEW®, requires **SK91GigE-WIN**




Software

SK91USB3-LX Order Code

SDK from Schäfter + Kirchhoff including the **SKLineScan** operating program, as well as libraries and examples.

Operating systems:
Linux kernel 3.13 or higher, compiled for Debian or openSUSE

Accessories




USB 3.0 cable SK9020.x

Camera connector: USB 3.0 plug, type micro-B, with safety lock screws

PC connector: USB 3.0 plug, type A (also fits into a USB 2.0 type A socket)

SK9020.x Order Code

_____ 1 = 1 m cable length
_____ 3 = 3 m cable length (standard)




External synchronization cable SK9026...

for line scan cameras with USB3.0 interface.

Shielded cable with Hirose plug HR10A, female 6 pin (camera side), and Phoenix 4 pin connector incl. terminal block.

SK9024.x Order Code


_____ cable length 3 / 5 m
Other lengths on request




USB 3.0 active extension cable USB3.EXT.AA10

External power supply +5VDC, length 10 m

Connectors:
1x socket USB3.0 socket, type A,
1x plug Power in, 5VDC,
1x plug USB3.0, type A (also fits a USB2.0 type A socket)



USB3.EXT.AA10 Order Code




Adapter cable for sync signals CAB-ADSync-BNC-1

BNC/SMA (3x) to Line Scan Camera Synchronization Cable SK9016/SK9024/SK9026.

Shielded cable, length 0.25 m

Connectors:
1x Phoenix 4-pin connector
3x SMA plug (Line Sync A, Line Sync B, Frame Sync)
3x adapter SMA socket (outside threading) to BNC-plug

CAB-ADSync-BNC-1 Order Code




USB 3.0 active extension cable USB3.EXT.A2Ax

Hybrid cable (copper/fiber), power supply by another USB-connection, cable length up to 100 m on request.

Connectors:
USB3.0 plug and socket, with locking screws

USB3.EXT.A2Ax Order Code

_____ 20 = 20 m cable length
_____ 30 = 30 m
_____ 50 = 50 m
other lengths up to 100 m on request




Focus Adapter FA26-Sx Order Code

High-precision adapter with linear tracking rods for precise travel of the focussing encasement and for locking focus position. Focussing range 30 mm, 1 turn of the focussing ring corresponds to 10 mm. Screws for focus locking.

FA26-Sx Order Code

_____ 45 = thread M45x0.75
_____ 55 = thread M55x0.75



Lenses

- high resolution scan and macro lenses

Lens Adapters, thread M45x0.75

- M39x1/26" / AC43

Lens Adapters, thread M55x0.75

- M55x1/26" / AC46

Extension rings, thread M45x0.75

ZR-L-x Order Code

_____ length 15 / 25 / 60 / 87 mm

Extension rings, thread M55x0.75

M55-L-x Order Code

_____ length 15 / 25 / 60 mm