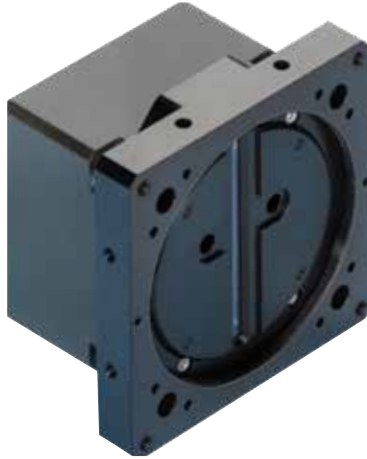


Line Scan Camera SK7500GTO-XL

High resolution CCD camera with 40 MHz pixel frequency



Specifications

Sensor type:	CCD Monochrome Sensor
Pixel number:	7500
Pixel size:	7 x 7 μm ²
Pixel distance:	7 μm
Active sensor length:	52.5 mm
max. pixel frequency:	40 MHz
max. line frequency:	5.2 kHz
Anti blooming:	-
Integration Control:	-
Shading correction:	x
Threshold mode:	x
Spectral sensitivity:	400 - 900 nm
Dynamic range:	1:750 (rms)

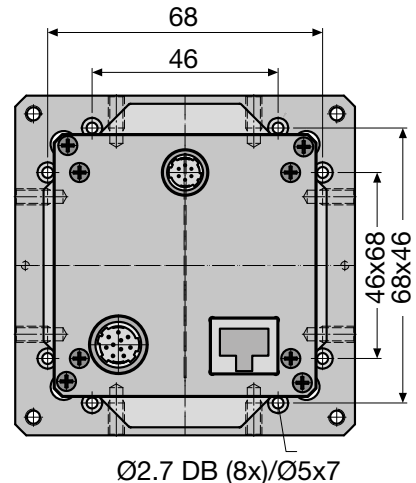
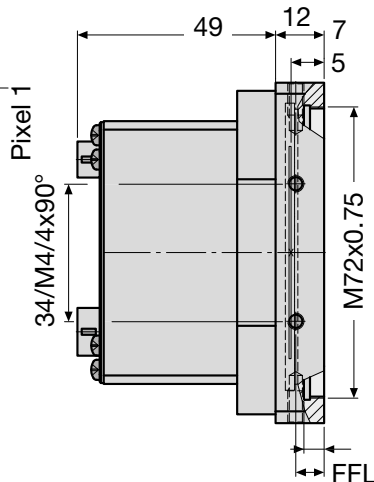
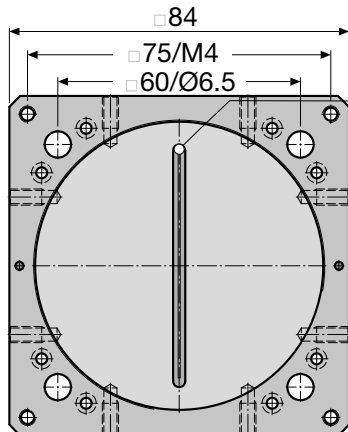
min. exposure time:	0.192 ms
max exposure time:	20 ms
Video signals:	monochrome 8/12 Bit digital
Signal in/out:	GigaBit Ethernet
Power supply:	+5V, +15V
Size:	84 mm x 84 mm x 62 mm
Case type:	CG5
Mass:	0.3 kg
Lens mount:	M72x0.75
Flange focal length:	8.2mm
Operating temperature:	+5 ... +45°C

Dimensions


CG5

Lens mount:
Flange focal length:

M72x0.75
FFL = 8 mm



Software



Software

SK91GigE-WIN Order Code


SDK from Schäfter + Kirchhoff including the SKLineScan operating program, as well as API, C++ class library and examples.

Operating systems:
Windows 7 / 8.1 / 10 - x64 and x86

SK91GigE-LV VI Order Code

VI-Library for LabVIEW®, requires **SK91GigE-WIN**

Accessories




CAT6 Network cable

Shielded CAT6 patch cable, halogen-free, both ends with RJ45 connectors for Gigabit Ethernet

CAT6.x Order Code

_____ cable length 3 / 5 / 10 m or length according to choice, max. 100m



Power supply unit PS051515

Input: 100-240 VAC, 0.8 A, 50/60 Hz
IEC 60320 C14 coupler (for IEC C13 power cord)


Output: +5VDC, 2.5 A / +15 VDC, 0.5 A / -15 VDC, 0.3 A
Cable length: 1 m, with Lumberg connector KV60, female 6-pin

PS051515 Order Code

Power cord IEC 60320 C13, 1.5 m, 10 A, 250 VAC

PC150DE Order Code

_____ DE = Europe / US = USA, Canada, Japan / UK = United Kingdom




External synchronization cable SK9024...

for line scan cameras with GigE / GigE Vision™ interface.

Shielded cable with Hirose plug HR10A, female 12 pin (camera side), and Phoenix 4 pin connector incl. terminal block.

SK9024.x Order Code

_____ cable length 3 / 5 m
Other lengths on request




Power cable SK9015.x

for GigE Vision™, CameraLink and externally supplied USB3 line scan cameras.

Shielded cable with Hirose plug HR10A, female 6-pin (camera side), and Lumberg SV60, male 6-pin connector (power supply unit side).

SK9015.x Order Code

_____ cable length 0.2 / 1.5 m




Adapter cable for sync signals CAB-ADSync-BNC-1

BNC/SMA (3x) to Line Scan Camera Synchronization Cable SK9016/SK9024/SK9026.

Shielded cable, length 0.25 m

Connectors:
1x Phoenix 4-pin connector
3x SMA plug (Line Sync A, Line Sync B, Frame Sync)
3x adapter SMA socket (outside threading) to BNC-plug

CAB-ADSync-BNC-1 Order Code



Focus Adapter FA26-Sx Order Code

High-precision adapter with linear tracking rods for precise travel of the focussing encasement and for locking focus position. Focussing range 30 mm, 1 turn of the focussing ring corresponds to 10 mm. Screws for focus locking.

FA26-Sx Order Code

_____ 45 = thread M45x0.75
55 = thread M55x0.75



Lenses

- high resolution scan and macro lenses

Lens Adapters, thread M45x0.75

- M39x1/26" / AC43

Lens Adapters, thread M55x0.75

- M55x1/26" / AC46

Extension rings, thread M45x0.75

ZR-L-x Order Code

_____ length 15 / 25 / 60 / 87 mm

Extension rings, thread M55x0.75

M55-L-x Order Code

_____ length 15 / 25 / 60 mm