

Line Scan Camera SK7500CTO-XL

High resolution CCD camera with 40 MHz pixel frequency



Specifications

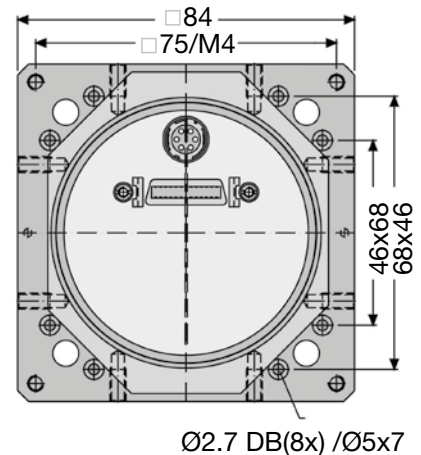
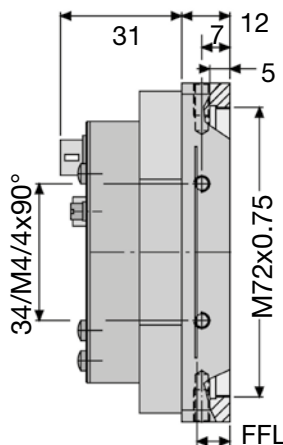
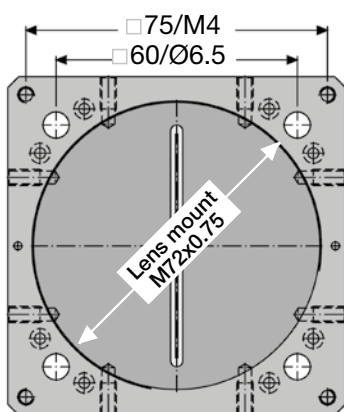
Sensor type:	CCD Monochrome Sensor
Pixel number:	7500
Pixel size:	7 x 7 μm^2
Pixel distance:	7 μm
Active sensor length:	52.5 mm
max. pixel frequency:	40 MHz
max. line frequency:	5.2 kHz
Anti blooming:	-
Integration Control:	-
Shading correction:	x
Threshold mode:	-
Spectral sensitivity:	400 - 900 nm
Dynamic range:	1:750 (rms)

min. exposure time:	0.192 ms
max exposure time:	20 ms
Video signals:	monochrome 8/12 Bit digital
Signal in/out:	Camera Link
Power supply:	+5V, +15V
Size:	84 mm x 84 mm x 42.5 mm
Case type:	CC5
Mass:	0.3 kg
Lens mount:	M72x0.75
Flange focal length:	8.2mm
Operating temperature:	+5 ... +45°C

Dimensions

CC5


Lens mount: M72x0.75mm
Flange focal length: FFL = 8mm



Features

- Extended Trigger Functions**
 Direction of movement or slippage can be detected by using two external synchronization signals.
- Shading Correction Memory (SCM) and Look-Up Table (LUT) options**
 The calibration data in the SCM automatically adjusts the line signal data directly in the camera after each exposure.
 The LUT is a separate memory block that can also be used for postprocessing the line signal data, such as applying a Gamma function.
- Window-Function**
 The line signal data to be transferred can be restricted to a defined section of the line sensor.
- The **Gains or Offsets** for all AD-converter channels can be **adjusted simultaneously**, simplifying handling.
- Integrated Temperature Sensor**

Accessories





Power supply unit PS051515

Input: 100-240VAC, 0.8A, 50/60 Hz
 IEC60320 C14 coupler (for IEC C13 power cord)
 Output: +5VDC, 2.5 A / +15VDC, 0.5 A / -15VDC, 0.3 A
 Cable length: 1 m, with Lumberg connector KV60, female 6-pin

PS051515 **Order Code**

Power cord IEC60320 C13, 1.5 m, 10 A, 250 V AC

PC150DE **Order Code**
 DE = Europe / US = USA, Canada, Japan /
 UK = United Kingdom





Control cable SK9018...

26-pin shielded cable, both ends with mini-ribbon connector (male 26-pin)

SK9018.x-MM **Order Code**

MM = connector both ends male
 cable length 3 / 5 m or
 length according to choice,
 max. 10 m




Power cable SK9015.x

for GigE Vision™, CameraLink and externally supplied USB3 line scan cameras.

Shielded cable with Hirose plug HR10A, female 6-pin (camera side), and Lumberg SV60, male 6-pin connector (power supply unit side).


SK9015.x **Order Code**
 cable length 0.2 / 1.5 m



Focus Adapter FA26-Sx **Order Code**

High-precision adapter with linear tracking rods for precise travel of the focussing encasement and for locking focus position. Focussing range 30 mm, 1 turn of the focussing ring corresponds to 10 mm. Screws for focus locking.

FA26-Sx **Order Code**
 45 = thread M45x0.75
 55 = thread M55x0.75



Lenses

- high resolution scan and macro lenses

Lens Adapters, thread M45x0.75

- M39x1/26" / AC43

Lens Adapters, thread M55x0.75

- M55x1/26" / AC46

Extension rings, thread M45x0.75

ZR-L-x **Order Code**
 length 15 / 25 / 60 / 87 mm

Extension rings, thread M55x0.75

M55-L-x **Order Code**
 length 15 / 25 / 60 mm