

Line Scan Camera SK5150CJR

Digital camera with very high sensitivity for high line frequencies



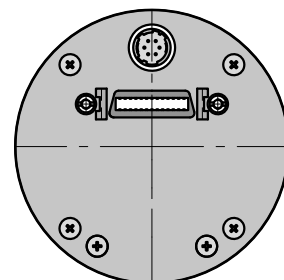
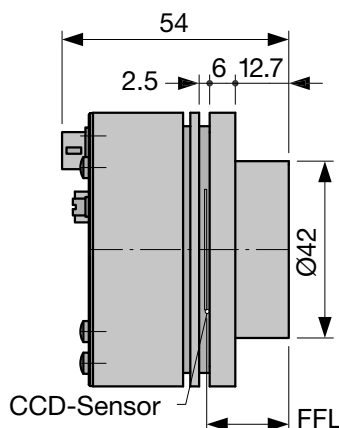
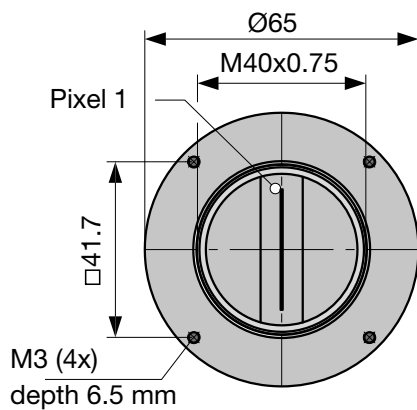
Specifications

Sensor type:	CCD Monochrome Sensor
Pixel number:	5148
Pixel size:	7 x 7 μm^2
Pixel distance:	7 μm
Active sensor length:	36 mm
max. pixel frequency:	40 MHz
max. line frequency:	7.56 kHz
Anti blooming:	-
Integration Control:	-
Shading correction:	x
Threshold mode:	-
Spectral sensitivity:	400 - 900 nm
Dynamic range:	1:500 (rms)

min. exposure time:	0.133 ms
max exposure time:	20 ms
Video signals:	monochrome 8/12 Bit digital
Signal in/out:	Camera Link
Power supply:	+5V, +15V
Size:	$\varnothing 65 \text{ mm} \times 54 \text{ mm}$
Case type:	AC2
Mass:	0.2 kg
Lens mount:	M40x0.75
Seat for bracket:	$\varnothing 42 \text{ mm}$
Flange focal length:	19.5 mm
Operating temperature:	+5 ... +45°C

Dimensions

AC2
 Lens mount: M40x0.75
 Seat for bracket: $\varnothing 42 \text{ mm}$
 Flange focal length: FFL = 19.5 mm




Features

- Extended Trigger Functions**
 Direction of movement or slippage can be detected by using two external synchronization signals.
- Shading Correction Memory (SCM) and Look-Up Table (LUT) options**
 The calibration data in the SCM automatically adjusts the line signal data directly in the camera after each exposure.
 The LUT is a separate memory block that can also be used for postprocessing the line signal data, such as applying a Gamma function.

- Window-Function**
 The line signal data to be transferred can be restricted to a defined section of the line sensor.
- The **Gains or Offsets** for all four AD-converter channels can be **adjusted simultaneously**, simplifying handling.
- Integrated Temperature Sensor**

Accessories





Power supply unit PS051515

Input: 100-240VAC, 0.8A, 50/60 Hz
 IEC60320 C14 coupler (for IEC C13 power cord)
 Output: +5VDC, 2.5 A / +15VDC, 0.5 A / -15VDC, 0.3 A
 Cable length: 1 m, with Lumberg connector KV60, female 6-pin

PS051515 **Order Code**

Power cord IEC60320 C13, 1.5 m, 10 A, 250V AC

PC150DE **Order Code**
 DE = Europe / US = USA, Canada, Japan /
 UK = United Kingdom





Control cable SK9018...

26-pin shielded cable, both ends with mini-ribbon connector (male 26-pin)

SK9018.x-MM **Order Code**

MM = connector both ends male
 cable length 3 / 5 m or
 length according to choice,
 max. 10 m



Power cable SK9015.x

for GigE Vision™, CameraLink and externally supplied USB3 line scan cameras.


Shielded cable with Hirose plug HR10A, female 6-pin (camera side), and LumbergSV60, male 6-pin connector (power supply unit side).

SK9015.x **Order Code**
 cable length 0.2 / 1.5 m

M1 Mounting Bracket SK5105


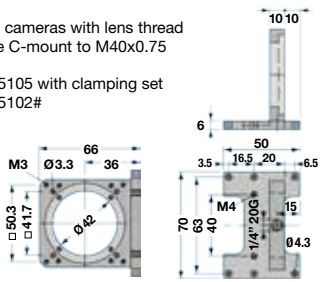
For cameras with lens thread size C-mount to M40x0.75

SK5105 with clamping set SK5102#




MC1 Clamping Set SK5102

Clamp **Order Code** SK5102 (set of 4 pcs.)
 Allen screw DIN 912-M3x12

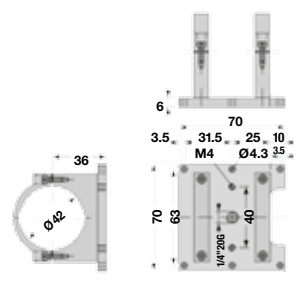



M3 Mounting System SK5105-2

Order Code SK5105-2


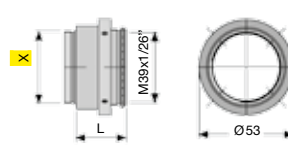


For camera configurations with tube length > 55 mm using extension rings **ZR**



FA1 Focus adapter FA22...



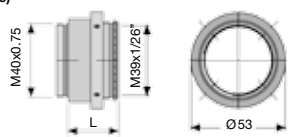
FA22-x **Order Code**
 42 = M42 x 1
 40 = M40 x 0.75
 39 = M39 x 1/26"
 32 = M32 x 0.75
 C = C-Mount
 length L: 22 ... 32 mm

FA2 Focus adapter L-Mount (M39x1/26" Leica)
 any rotation angle adjustable (V-groove)
 attachment thread M40x0.75, male

FA22R-40 **Order Code**
 length L: 28 ... 38 mm

FA22RL-40 **Order Code**
 length L: 35 ... 45 mm






A3 Lens Adapter F-Mount

for line scan cameras with case type **Axx** or **BGx**

AOC-F-... **Order Code**

Attachment thread:
 45 = M45x0.75
 40 = M40x0.75
 32 = M32x0.75
 C = C-Mount 1"-32-TP



ZR Extension rings L-Mount (M39x1/26" Leica)
 attachment threads M39x1/26" male/female

ZR 10 **Order Code**
 10 = Length 10 mm
 15 = Length 15 mm
 20 = Length 20 mm
 50 = Length 50 mm

