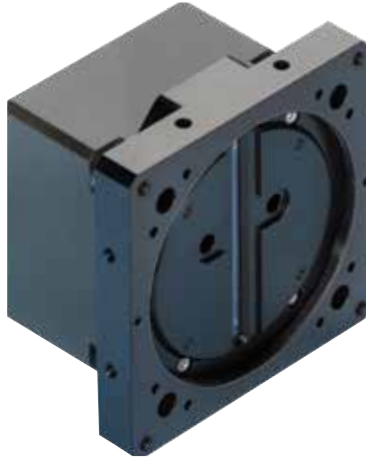


## Line Scan Camera SK4096VTDI-XL

96-stages Time Delay and Integration Digital camera with very high sensitivity and high line frequency, gain and offset adjustable by PC, anti blooming



### Specifications

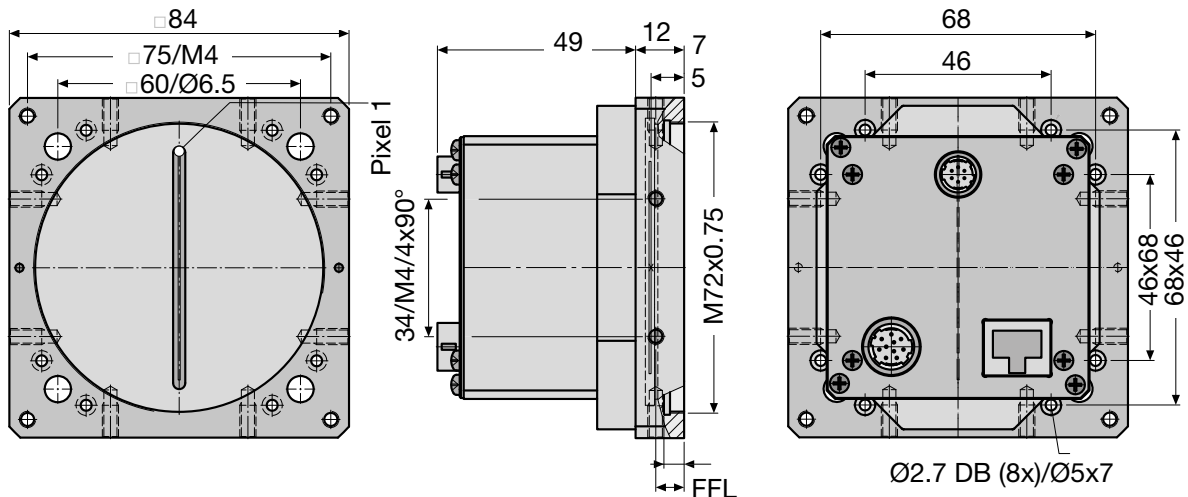
Sensor type:	CCD TDI Sensor
Pixel number:	96x 4096
Pixel size:	13 x 13 $\mu\text{m}^2$
Pixel distance:	13 $\mu\text{m}$
Active sensor length:	53.2 mm
max. pixel frequency:	100 MHz
max. line frequency:	13.9 kHz
Anti blooming:	x
Integration Control:	-
Shading correction:	x
Threshold mode:	-
Spectral sensitivity:	400 - 1000 nm
Dynamic range:	1:2500 (rms)

min. exposure time:	0.071 ms
max exposure time:	1 ms
Video signals:	monochrome 8/12 Bit digital
Signal in/out:	GigE Vision
Power supply:	+5V, +15V
Size:	84 mm x 84 mm x 62 mm
Case type:	CG5
Mass:	0.3 kg
Lens mount:	M72x0.75
Seat for bracket:	$\varnothing$ mm
Flange focal length:	8.2 mm
Operating temperature:	+5 ... +45°C

### Dimensions

CG5

Lens mount: M72x0.75  
Flange focal length: FFL = 8 mm



## Software



The Schäfter + Kirchhoff GigE Vision™ line scan cameras use the Gigabit Ethernet communication protocol and are 100% compliant with the GigE Vision™ specifications and the Gen<i>Cam™ standard. They implement a superset of the Gen<i>Cam™ specification which defines the device capabilities. The settings are made in the device feature list of any Gen<i>Cam™ compliant software.

The Gen<i>Cam™ standard provides a generic programming interface for all kinds of cameras and, no matter what features they implement, the application programming interface (API) always remains the same.

## Accessories



### CAT6 Network cable

Shielded CAT6 patch cable, halogen-free, both ends with RJ45 connectors for Gigabit Ethernet

CAT6.x

**Order Code**

\_\_\_\_\_ cable length 3 / 5 / 10 m or length according to choice, max. 100 m



### Power supply unit PS051515

Input: 100-240 VAC, 0.8 A, 50/60 Hz  
IEC 60320 C14 coupler (for IEC C13 power cord)  
Output: +5VDC, 2.5 A / +15VDC, 0.5 A / -15VDC, 0.3 A  
Cable length: 1 m, with Lumberg connector KV60, female 6-pin

PS051515

**Order Code**

**Power cord IEC 60320 C13, 1.5 m, 10 A, 250 VAC**

PC150DE

**Order Code**

\_\_\_\_\_ DE = Europe / US = USA, Canada, Japan / UK = United Kingdom



DE US UK



### External synchronization cable SK9024...

for line scan cameras with GigE / GigE Vision™ interface.

Shielded cable with Hirose plug HR10A, female 12 pin (camera side), and Phoenix 4 pin connector incl. terminal block.

SK9024.x

**Order Code**

\_\_\_\_\_ cable length 3 / 5 m  
Other lengths on request



### Power cable SK9015.x

for GigE Vision™, CameraLink and externally supplied USB3 line scan cameras.

Shielded cable with Hirose plug HR10A, female 6-pin (camera side), and Lumberg SV60, male 6-pin connector (power supply unit side).

SK9015.x

**Order Code**

\_\_\_\_\_ cable length 0.2 / 1.5 m



### Adapter cable for sync signals CAB-ADSync-BNC-1

BNC/SMA (3x) to Line Scan Camera Synchronization Cable SK9016/SK9024/SK9026.

Shielded cable, length 0.25 m

Connectors:

1x Phoenix 4-pin connector  
3x SMA plug (Line Sync A, Line Sync B, Frame Sync)  
3x adapter SMA socket (outside threading) to BNC-plug

CAB-ADSync-BNC-1

**Order Code**



### Focus Adapter FA26-Sx **Order Code**

High-precision adapter with linear tracking rods for precise travel of the focussing encasement and for locking focus position. Focussing range 30 mm, 1 turn of the focussing ring corresponds to 10 mm. Screws for focus locking.

FA26-Sx

**Order Code**

\_\_\_\_\_ 45 = thread M45x0.75  
55 = thread M55x0.75



### Lenses

- high resolution scan and macro lenses

### Lens Adapters, thread M45x0.75

- M39x1/26" / AC43

### Lens Adapters, thread M55x0.75

- M55x1/26" / AC46

### Extension rings, thread M45x0.75

ZR-L-x

**Order Code**

\_\_\_\_\_ length 15 / 25 / 60 / 87 mm

### Extension rings, thread M55x0.75

M55-L-x

**Order Code**

\_\_\_\_\_ length 15 / 25 / 60 mm