

Line Scan Camera SK22368U3TOC

CCD



USB 3.0

Color line scan camera (Triple-Line) with 3 x 7456 RGB pixels, 6.41 kHz maximum line rate, small pixel size and short sensor length.



■ Sensor Characteristics

Sensor type:	CCD, Color
Pixel number:	3 x 7456
Pixel size:	4.7 x 4.7 μm^2
Active sensor length:	35.04 mm
Pixel frequency:	150 / 75 MHz
Max. line frequency:	6.41 kHz
Min. integration time:	0.01 ms
Max. integration time:	20 ms
Spectral range:	350 - 700 nm
Dynamic range:	1:1000 (rms)
Line spacing (RGB):	18.8 μm
Line color sequence:	red (R), green (G), blue (B)

■ Mechanical data

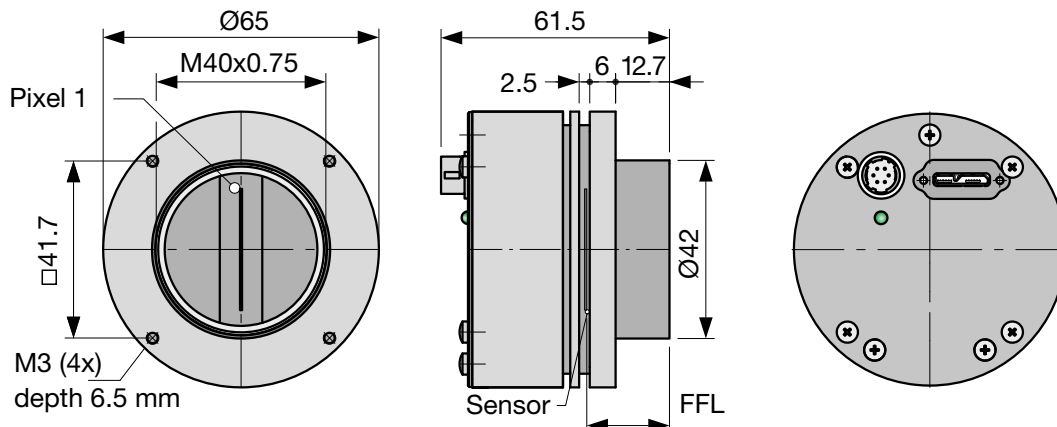
Case type:	AT2
Size:	$\varnothing 65$ mm x 54 mm
Mass:	0.2 kg
Lens mount:	M40x0.75
Flange focal length (FFL):	19.5 mm
Seat for bracket:	$\varnothing 42$ mm

■ Functioning Features


Anti blooming:	-
Integration control:	-
Shading correction:	x
Look-up table:	x
Region of interest (ROI):	x
Thresholding:	-
Temperature sensor:	x
External synchronization:	x
Operating Temperature:	+5 ... +45°C

■ Connections

Interface:	USB 3.0
	Type μB , threaded
Video signals:	color 3*8 Bit digital
Power supply:	via USB3 interface 4.0W
External synchronization:	TTL
	Hirose 10A, 6-pin, male



Software



Software


SK91USB3-WIN Order Code

SDK from Schäfter + Kirchhoff including the **SKLineScan** operating program, as well as API, C++ class library and examples.

Operating systems:
Windows 7 / 8.1 / 10 - x64 and x86

SK91USB3-LV VI Order Code

VI-Library for LabVIEW®, requires **SK91USB3-WIN**




Software

SK91USB3-LX Order Code

SDK from Schäfter + Kirchhoff including the **SKLineScan** operating program, as well as libraries and examples.

Operating systems:
Linux kernel 3.13 or higher

Accessories



USB 3.0 cable SK9020.x


Camera connector: USB 3.0 plug, type micro-B, with safety lock screws

PC connector: USB 3.0 plug, type A (also fits into a USB 2.0 type A socket)

SK9020.x Order Code

└── 1 = 1 m cable length

 3 = 3 m cable length (standard)



External synchronization cable SK9026...


for line scan cameras with USB3.0 interface.

Shielded cable with Hirose plug HR10A, female 6-pin (camera side), and Phoenix 4-pin connector incl. terminal block.

SK9026.x Order Code

└── cable length 3 / 5 m


 Other lengths on request




USB 3.0 active extension cable USB3.EXT.AA10

External power supply +5VDC, length 10m

Connectors:
1x socket USB3.0 socket, type A,
1x plug Power in, 5VDC,
1x plug USB3.0, type A (also fits a USB2.0 type A socket)



USB3.EXT.AA10 Order Code




Adapter cable for sync signals CAB-ADSync-BNC-1

BNC/SMA (3x) to line scan camera synchronization cable SK9016/SK9024/SK9026.

Shielded cable, length 0.25m

Connectors:
1x Phoenix 4-pin connector
3x SMA plug (Line Sync A, Line Sync B, Frame Sync)
3x adapter SMA socket (outside threading) to BNC-plug

CAB-ADSync-BNC-1 Order Code



USB 3.0 active extension cable USB3.EXT.A2A...

Hybrid cable (copper/fiber), power supply by another USB-connection, cable length up to 100m on request.

Connectors:
USB3.0 plug and socket, with locking screws

USB3.EXT.A2Ax Order Code

└── 20 = 20 m cable length


 30 = 30 m

 50 = 50 m

 other lengths up to 100m on request


M1 Mounting Bracket SK5105

Order Code
SK5105



Mounting diameter 42.0mm, for cameras with round housing Ax1 or Ax2

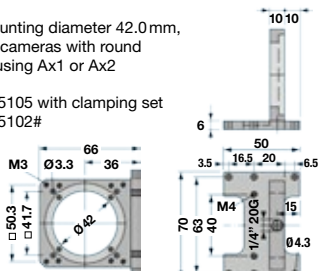
SK5105 with clamping set SK5102#



MC Clamping Set SK5101


Order Code
SK5101
(set of 4 pcs.)

Allen screw DIN 912-M3x12

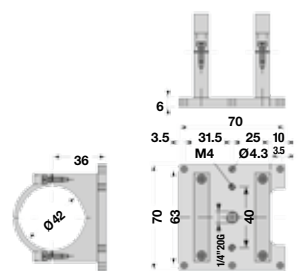


M3 Mounting System SK5105-2

Order Code
SK5105-2



For camera configurations with tube length > 55mm using extension rings ZR




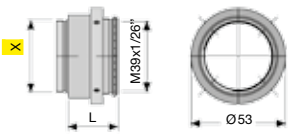
FA1 Focus adapter FA22...

FA22-x Order Code

42 = M42 x 1
40 = M40 x 0.75
39 = M39x1/26"
32 = M32 x 0.75
C = C-Mount

length L: 22 ... 32mm






A3 Lens Adapter F-Mount

for line scan cameras with case type Axx or BGx.

AOC-F-... Order Code

Attachment thread:
45 = M45x0.75
40 = M40x0.75
32 = M32x0.75
C = C-Mount 1"-32-TP




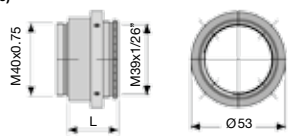
FA2 Focus adapter L-Mount (M39x1/26" Leica)

any rotation angle adjustable (V-groove) attachment thread M40x0.75, male

FA22R-40 Order Code
length L: 28 ... 38mm

FA22RL-40 Order Code
length L: 35 ... 45mm





ZR Extension rings L-Mount (M39x1/26" Leica)

attachment threads M39x1/26" male/female

ZR 10 Order Code

10 = Length 10 mm
15 = Length 15 mm
20 = Length 20 mm
50 = Length 50 mm

