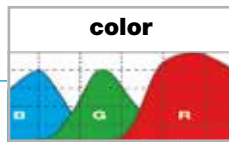


USB 3.0

- Robust cable connections
- Hot-pluggable
- Perfect for movable setups

**Schäfter + Kirchhoff**

Line Scan Camera SK22368U3TOC-LA

Digital Triple-Line CCD color camera with 3 x 7456 RGB Pixel
120 MHz pixel frequency



Specifications

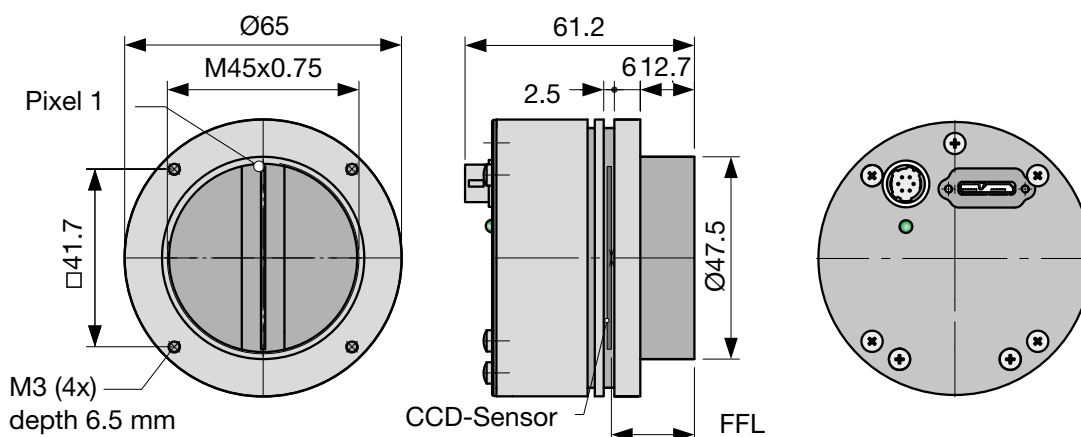
Sensor type:	CCD Color Sensor	min. exposure time:	0.195 ms
Pixel number:	3x 7456	max exposure time:	20 ms
Pixel size:	4.7 x 4.7 μm^2	Video signals:	color 3*8 Bit digital
Line spacing (RGB):	18.8 μm	Signal in/out:	USB 3.0
Active sensor length:	35.04 mm	Power supply:	USB (800 mA)
max. pixel frequency:	120 MHz	Size:	$\varnothing 65 \text{ mm} \times 53.7 \text{ mm}$
max. line frequency:	5.13 kHz	Case type:	AT3
Anti blooming:	-	Mass:	0.2 kg
Integration Control:	-	Lens mount:	M45x0.75
Shading correction:	x	Seat for bracket:	$\varnothing 47.5 \text{ mm}$
Spectral sensitivity:	350 - 700 nm	Flange focal length:	19.5 mm
Dynamic range:	1:1000 (rms)	Operating temperature:	+5 ... +45°C

Dimensions

AT3

Lens mount:
Seat for bracket:
Flange focal length:

M45x0.75
 $\varnothing 47.5 \text{ mm}$
FFL = 19.5 mm





Software

Software

SK91USB3-WIN **Order Code**

SDK from Schäfter + Kirchhoff including the **SKLineScan** operating program, as well as API, C++ class library and examples.

Operating systems:
Windows 7 / 8.1 / 10 - x64 and x86

SK91USB3-LV VI **Order Code**

VI-Library for LabVIEW®, requires **SK91GigE-WIN**

Software

SK91USB3-LX **Order Code**

SDK from Schäfter + Kirchhoff including the **SKLineScan** operating program, as well as libraries and examples.

Operating systems:
Linux kernel 3.13 or higher, compiled for Debian or openSUSE

Accessories

USB 3.0 cable SK9020.x

Camera connector: USB 3.0 plug, type micro-B, with safety lock screws

PC connector: USB 3.0 plug, type A (also fits into a USB 2.0 type A socket)

SK9020.x **Order Code**

└── 1 = 1 m cable length
└── 3 = 3 m cable length (standard)

External synchronization cable SK9026...

for line scan cameras with USB3.0 interface.

Shielded cable with Hirose plug HR10A, female 6 pin (camera side), and Phoenix 4 pin connector incl. terminal block.

SK9024.x **Order Code**

└── cable length 3 / 5 m
Other lengths on request

USB 3.0 active extension cable USB3.EXT.AA10

External power supply +5VDC, length 10 m

Connectors:
1x socket USB3.0 socket, type A,
1x plug Power in, 5VDC,
1x plug USB3.0, type A (also fits a USB2.0 type A socket)

USB3.EXT.AA10 **Order Code**

Adapter cable for sync signals CAB-ADSync-BNC-1

BNC/SMA (3x) to Line Scan Camera Synchronization Cable SK9016/SK9024/SK9026.

Shielded cable, length 0.25 m

Connectors:
1x Phoenix 4-pin connector
3x SMA plug (Line Sync A, Line Sync B, Frame Sync)
3x adapter SMA socket (outside threading) to BNC-plug

CAB-ADSync-BNC-1 **Order Code**

USB 3.0 active extension cable USB3.EXT.A2A...

Hybrid cable (copper/fiber), power supply by another USB-connection, cable length up to 100 m on request.

Connectors:
USB3.0 plug and socket, with locking screws

USB3.EXT.A2Ax **Order Code**

└── 20 = 20 m cable length
└── 30 = 30 m
└── 50 = 50 m
other lengths up to 100 m on request

M2 Mounting Bracket SK5105-L

For cameras with lens thread size M45x0.75

SK5105-L **Order Code**

SK5105-L with clamping set SK5101#

MC2 Clamping Set SK5101

Clamp **SK5101** **Order Code**
(set of 4 pcs.)

Allen screw DIN 912-M3x12

M4 Mounting System SK5105-2L

SK5105-2L **Order Code**

For camera configurations with tube length > 55 mm using extension rings **ZR-L**

FA3 Focus adapter L-Mount (M39x1/26" Leica)

any rotation angle adjustable (V-groove)
attachment thread M45x0.75, male

FA22R-45 **Order Code**
length L: 22 ... 32 mm

FA22RL-45 **Order Code**
length L: 29 ... 38 mm

A3 Lens Adapter F-Mount

for line scan cameras with case type **Axx** or **BGx**.

AOC-F-... **Order Code**

Attachment thread:
45 = M45x0.75
40 = M40x0.75
32 = M32x0.75
C = C-Mount 1"-32-TP

ZR-L Extension rings M45x0.75

attachment threads M45x0.75 male/female

ZR-L.25 **Order Code**

└── 15 = Length 15 mm
└── 25 = Length 25 mm
└── 60 = Length 60 mm
└── 87 = Length 87 mm