

## Line Scan Camera SK22368CTOC

CCD



Color line scan camera (Triple-Line) with 3 x 7456 RGB pixels, 6.41 kHz maximum line rate, small pixel size and short sensor length.



### ■ Sensor Characteristics

Sensor type:	CCD, Color
Pixel number:	3 x 7456
Pixel size:	4.7 x 4.7 $\mu\text{m}^2$
Active sensor length:	35.04 mm
Pixel frequency:	150 / 60 MHz
Max. line frequency:	6.41 kHz
Min. integration time:	0.01 ms
Max. integration time:	20 ms
Spectral range:	350 - 700 nm
Dynamic range:	1:1000 (rms)
Line spacing (RGB):	18.8 $\mu\text{m}$
Line color sequence:	red (R), green (G), blue (B)

### ■ Mechanical data

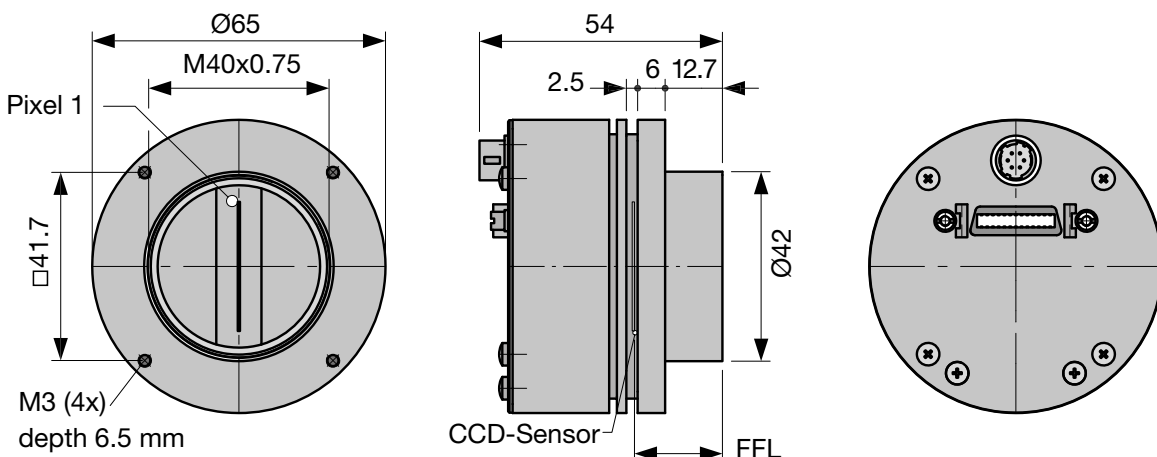
Case type:	AT2
Size:	$\varnothing 65$ mm x 54 mm
Mass:	0.2 kg
Lens mount:	M40x0.75
Flange focal length (FFL):	19.5 mm
Seat for bracket:	$\varnothing 42$ mm

### ■ Functioning Features

Anti blooming:	-
Integration control:	-
Shading correction:	x (or by means of grabber)
Look-up table:	x (or by means of grabber)
Region of interest (ROI):	x (or by means of grabber)
Thresholding:	-
Temperature sensor:	x
External synchronization:	by means of grabber
Operating Temperature:	+5 ... +45°C

### ■ Connections


Interface:	Camera Link
	MDR-26, 26-pin, female
Video signals:	color 3*8 Bit digital
Power supply:	+5/+15V DC, 4.3W
	Hirose 10A, 6-pin, male
External synchronization:	by means of grabber



## Features

- Compatible Frame Grabbers**  
 Any third party Camera Link grabber board and control software that complies to the base configuration standard are suitable.
- Configuration**  
 The basic camera parameters can also be configured with the SkCiConfig tool from Schäfter+Kirchhoff.
- Extended Trigger Functions**  
 Direction of movement or slippage can be detected by using two external synchronization signals.
- Integrated Temperature Sensor**
- Shading Correction Memory (SCM) and Look-Up Table (LUT) options**  
 The calibration data in the SCM automatically adjusts the line signal data directly in the camera after each exposure.  
 The LUT is a separate memory block that can also be used for postprocessing the line signal data, such as applying a Gamma function.
- Window-Function**  
 The line signal data to be transferred can be restricted to a defined section of the line sensor.

## Accessories



**Power supply unit PS051515**


Input: 100-240 VAC, 0.8A, 50/60 Hz  
 IEC 60320 C14 coupler (for IEC C13 power cord)  
 Output: +5VDC, 2.5 A / +15VDC, 0.5 A / -15VDC, 0.3 A  
 Cable length: 1 m, with Lumberg connector KV60, female 6-pin

PS051515 **Order Code**

**Power cord IEC 60320 C13, 1.5 m, 10 A, 250 VAC**

PC150DE **Order Code**  
 DE = Europe / US = USA, Canada, Japan / UK = United Kingdom


DE US UK



**Control cable SK9018...**

26-pin shielded cable, both ends with mini-ribbon connector (male 26-pin)

SK9018.x-MM **Order Code**  
 MM = connector both ends male  
 cable length 3 / 5 m or length according to choice, max. 10 m



**Power cable SK9015.x**

for GigE Vision™, CameraLink and externally supplied USB3 line scan cameras.

Shielded cable with Hirose plug HR10A, female 6-pin (camera side), and Lumberg SV60, male 6-pin connector (power supply unit side).

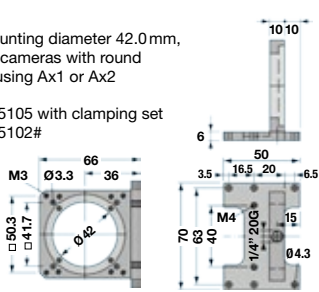
SK9015.x **Order Code**  
 cable length 0.2 / 1.5 m

**M1 Mounting Bracket SK5105**

Mounting diameter 42.0 mm, for cameras with round housing Ax1 or Ax2

SK5105 **Order Code**

SK5105 with clamping set SK5102#



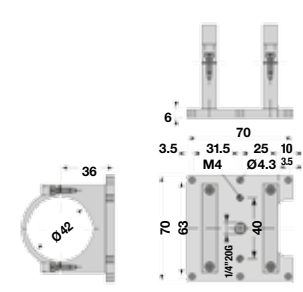
**MC Clamping Set SK5101**

Clamp **Order Code** SK5101 (set of 4 pcs.)  
 Allen screw DIN 912-M3x12

**M3 Mounting System SK5105-2**

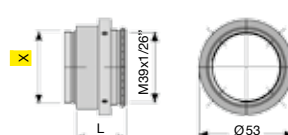
SK5105-2 **Order Code**

For camera configurations with tube length > 55 mm using extension rings **ZR**



**FA1 Focus adapter FA22...**

FA22-x **Order Code**  
 42 = M42 x 1  
 40 = M40 x 0.75  
 39 = M39x1/26"  
 32 = M32 x 0.75  
 C = C-Mount  
 length L: 22 ... 32 mm




**A3 Lens Adapter F-Mount**

for line scan cameras with case type **Axx** or **BGx**

AOC-F-... **Order Code**

Attachment thread:  
 45 = M45x0.75  
 40 = M40x0.75  
 32 = M32x0.75  
 C = C-Mount 1"-32-TP

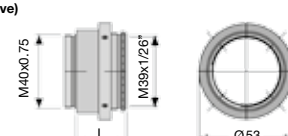


**FA2 Focus adapter L-Mount (M39x1/26" Leica)**

any rotation angle adjustable (V-groove) attachment thread M40x0.75, male

FA22R-40 **Order Code**  
 length L: 28 ... 38 mm

FA22RL-40 **Order Code**  
 length L: 35 ... 45 mm



**ZR Extension rings L-Mount (M39x1/26" Leica)**

attachment threads M39x1/26" male/female

ZR 10 **Order Code**

10 = Length 10 mm  
 15 = Length 15 mm  
 20 = Length 20 mm  
 50 = Length 50 mm

