

Line Scan Camera SK2048VTDI-L

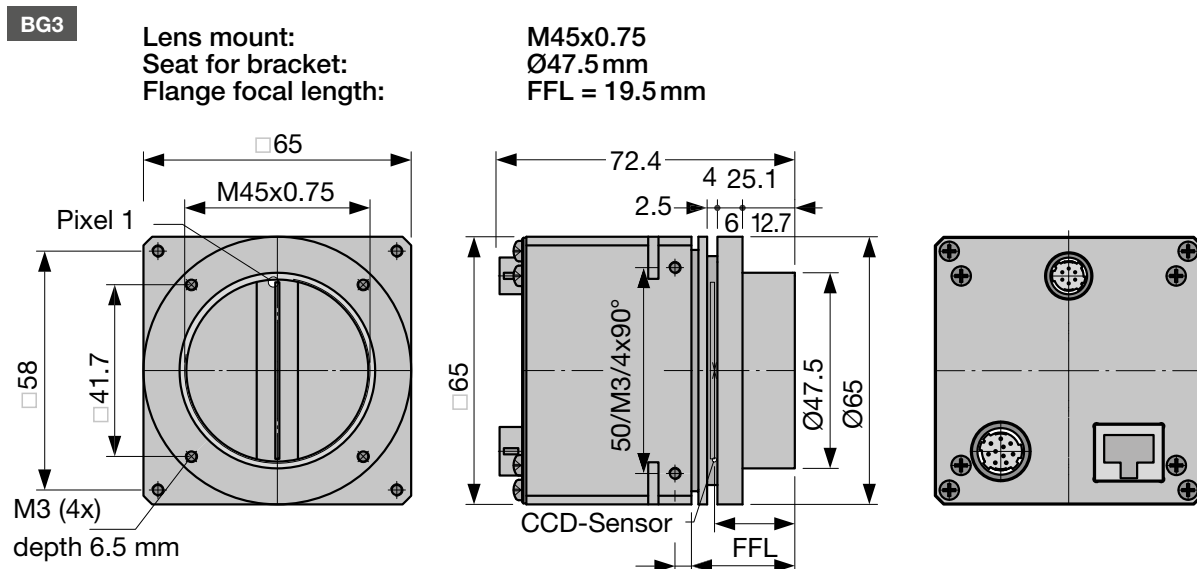
96-stages Time Delay and Integration Digital camera with very high sensitivity and high line frequency, gain and offset adjustable by PC, anti blooming



Specifications

| | | | |
|-----------------------|-------------------------|------------------------|-----------------------------|
| Sensor type: | CCD TDI Sensor | min. exposure time: | 0.036 ms |
| Pixel number: | 96x 2048 | max exposure time: | 1 ms |
| Pixel size: | 13 x 13 μm^2 | Video signals: | monochrome 8/12 Bit digital |
| Pixel distance: | 13 μm | Signal in/out: | GigE Vision |
| Active sensor length: | 26.6 mm | Power supply: | +5V, +15V |
| max. pixel frequency: | 100 MHz | Size: | 65 mm x 65 mm x 72.4 mm |
| max. line frequency: | 43.5 kHz | Case type: | BG3 |
| Anti blooming: | x | Mass: | 0.3 kg |
| Integration Control: | - | Lens mount: | M45x0.75 |
| Shading correction: | x | Seat for bracket: | $\text{Ø}47.5\text{mm}$ |
| Threshold mode: | - | Flange focal length: | 19.5 mm |
| Spectral sensitivity: | 400 - 1000 nm | Operating temperature: | +5 ... +45°C |
| Dynamic range: | 1:2500 (rms) | | |

Dimensions



Software



The Schäfter + Kirchhoff GigE Vision™ line scan cameras use the Gigabit Ethernet communication protocol and are 100% compliant with the GigE Vision™ specifications and the Gen<i>Cam™ standard. They implement a superset of the Gen<i>Cam™ specification which defines the device capabilities. The settings are made in the device feature list of any Gen<i>Cam™ compliant software.

The Gen<i>Cam™ standard provides a generic programming interface for all kinds of cameras and, no matter what features they implement, the application programming interface (API) always remains the same.

Accessories

CAT6 Network cable

Shielded CAT6 patch cable, halogen-free, both ends with RJ45 connectors for Gigabit Ethernet

CAT6.x **Order Code**

_____ cable length 3 / 5 / 10 m or length according to choice, max. 100 m

Power supply unit PS051515

Input: 100-240 VAC, 0.8 A, 50/60 Hz
IEC 60320 C14 coupler (for IEC C13 power cord)

Output: +5VDC, 2.5 A / +15VDC, 0.5 A / -15VDC, 0.3 A
Cable length: 1 m, with Lumberg connector KV60, female 6-pin

PS051515 **Order Code**

Power cord IEC 60320 C13, 1.5 m, 10 A, 250 VAC

PC150DE **Order Code**

_____ DE = Europe / US = USA, Canada, Japan / UK = United Kingdom

External synchronization cable SK9024...

for line scan cameras with GigE / GigE Vision™ interface.

Shielded cable with Hirose plug HR10A, female 12 pin (camera side), and Phoenix 4 pin connector incl. terminal block.

SK9024.x **Order Code**

_____ cable length 3 / 5 m
Other lengths on request

Power cable SK9015.x

for GigE Vision™, CameraLink and externally supplied USB3 line scan cameras.

Shielded cable with Hirose plug HR10A, female 6-pin (camera side), and Lumberg SV60, male 6-pin connector (power supply unit side).

SK9015.x **Order Code**

_____ cable length 0.2 / 1.5 m

Adapter cable for sync signals CAB-ADSync-BNC-1

BNC/SMA (3x) to Line Scan Camera Synchronization Cable SK9016/SK9024/SK9026.

Shielded cable, length 0.25 m

Connectors:
1x Phoenix 4-pin connector
3x SMA plug (Line Sync A, Line Sync B, Frame Sync)
3x adapter SMA socket (outside threading) to BNC-plug

CAB-ADSync-BNC-1 **Order Code**

M2 Mounting Bracket SK5105-L

For cameras with lens thread size M45x0.75

SK5105-L with clamping set SK5101#

MC2 Clamping Set SK5101

Clamp **Order Code** SK5101 (set of 4 pcs.)
Allen screw DIN 912-M3x12

M4 Mounting System SK5105-2L

For camera configurations with tube length > 55 mm using extension rings **ZR-L**

FA3 Focus adapter L-Mount (M39x1/26" Leica)

any rotation angle adjustable (V-groove)
attachment thread M45x0.75, male

FA22R-45 **Order Code**
length L: 22 ... 32 mm

FA22RL-45 **Order Code**
length L: 29 ... 38 mm

A3 Lens Adapter F-Mount

for line scan cameras with case type **Axx** or **BGx**.

AOC-F-... **Order Code**

Attachment thread:
45 = M45x0.75
40 = M40x0.75
32 = M32x0.75
C = C-Mount 1"-32-TP

ZR-L Extension rings M45x0.75

attachment threads M45x0.75 male/female

ZR-L.25 **Order Code**

15 = Length 15 mm
25 = Length 25 mm
60 = Length 60 mm
87 = Length 87 mm