

## Line Scan Camera SK2048GTDI-L

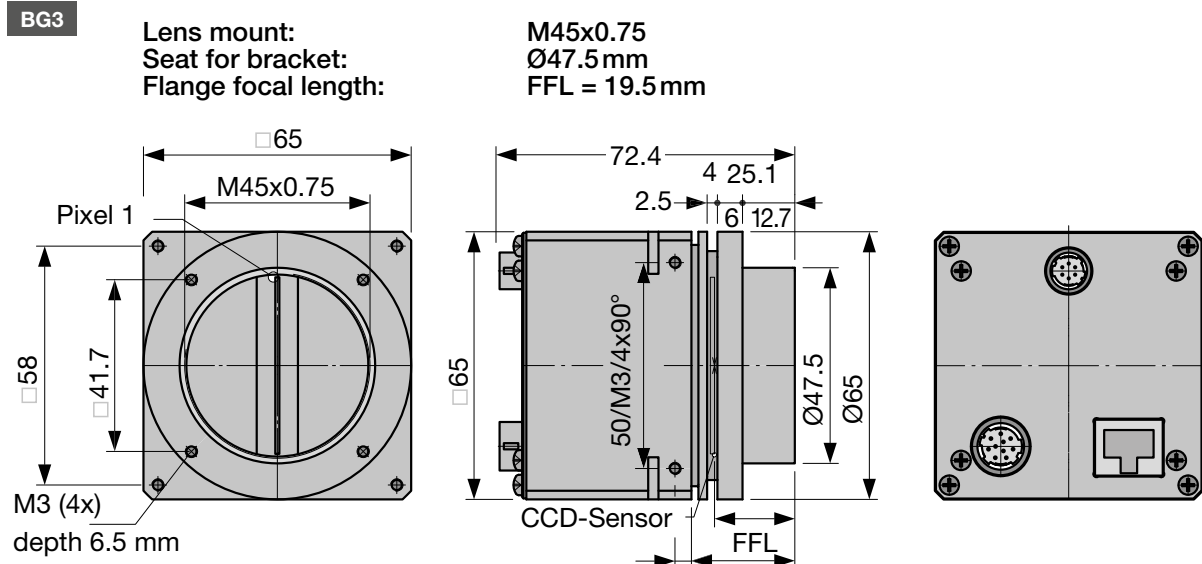
96-stages Time Delay and Integration Digital camera with very high sensitivity and high line frequency, gain and offset adjustable by PC, anti blooming




### Specifications

Sensor type:	CCD TDI Sensor	min. exposure time:	0.023 ms
Pixel number:	96x 2048	max exposure time:	1 ms
Pixel size:	13 x 13 $\mu\text{m}^2$	Video signals:	monochrome 8/12 Bit digital
Pixel distance:	13 $\mu\text{m}$	Signal in/out:	GigaBit Ethernet
Active sensor length:	26.6 mm	Power supply:	+5V, +15V
max. pixel frequency:	100 MHz	Size:	65 mm x 65 mm x 72.4 mm
max. line frequency:	43.5 kHz	Case type:	BG3
Anti blooming:	x	Mass:	0.3 kg
Integration Control:	-	Lens mount:	M45x0.75
Shading correction:	x	Seat for bracket:	$\text{Ø}47.5\text{mm}$
Threshold mode:	x	Flange focal length:	19.5 mm
Spectral sensitivity:	400 - 1000 nm	Operating temperature:	+5 ... +45°C
Dynamic range:	1:2500 (rms)		

### Dimensions



## Software



**Software**

**SK91GigE-WIN** Order Code


SDK from Schäfter + Kirchhoff including the **SKLineScan** operating program, as well as API, C++ class library and examples.

Operating systems:  
Windows 7 / 8.1 / 10 - x64 and x86

**SK91GigE-LV VI** Order Code

VI-Library for LabVIEW®, requires **SK91GigE-WIN**

## Accessories




**CAT6 Network cable**

Shielded CAT6 patch cable, halogen-free, both ends with RJ45 connectors for Gigabit Ethernet

**CAT6.x** Order Code

└ cable length 3 / 5 / 10 m or length according to choice, max. 100m



**Power supply unit PS051515**

Input: 100-240 VAC, 0.8 A, 50/60 Hz  
IEC 60320 C14 coupler (for IEC C13 power cord)


Output: +5VDC, 2.5 A / +15VDC, 0.5 A / -15VDC, 0.3 A  
Cable length: 1 m, with Lumberg connector KV60, female 6-pin

**PS051515** Order Code

**Power cord IEC 60320 C13, 1.5 m, 10 A, 250 VAC**

**PC150DE** Order Code

└ DE = Europe / US = USA, Canada, Japan / UK = United Kingdom




**External synchronization cable SK9024...**

for line scan cameras with GigE / GigE Vision™ interface.

Shielded cable with Hirose plug HR10A, female 12 pin (camera side), and Phoenix 4 pin connector incl. terminal block.

**SK9024.x** Order Code

└ cable length 3 / 5 m  
Other lengths on request




**Power cable SK9015.x**

for GigE Vision™, CameraLink and externally supplied USB3 line scan cameras.

Shielded cable with Hirose plug HR10A, female 6-pin (camera side), and Lumberg SV60, male 6-pin connector (power supply unit side).

**SK9015.x** Order Code

└ cable length 0.2 / 1.5 m



**Adapter cable for sync signals CAB-ADSync-BNC-1**

BNC/SMA (3x) to Line Scan Camera Synchronization Cable SK9016/SK9024/SK9026.

Shielded cable, length 0.25m

Connectors:  
1x Phoenix 4-pin connector  
3x SMA plug (Line Sync A, Line Sync B, Frame Sync)  
3x adapter SMA socket (outside threading) to BNC-plug

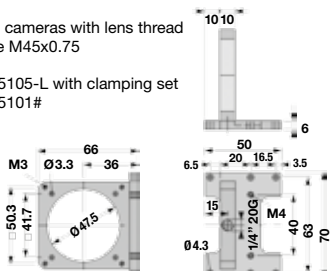
**CAB-ADSync-BNC-1** Order Code

**M2 Mounting Bracket SK5105-L**

For cameras with lens thread size M45x0.75

**SK5105-L** Order Code


SK5105-L with clamping set SK5101#



**MC2 Clamping Set SK5101**

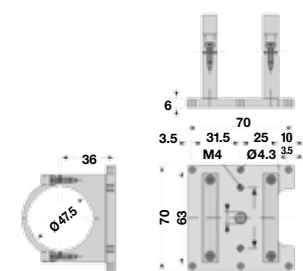
Clamp **SK5101** Order Code

Allen screw DIN 912-M3x12 (set of 4 pcs.)



**M4 Mounting System SK5105-2L**

**SK5105-2L** Order Code



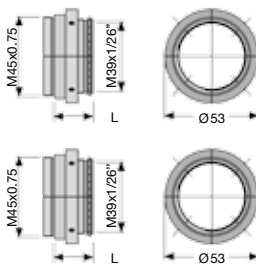
For camera configurations with tube length > 55 mm using extension rings **ZR-L**

**FA3 Focus adapter L-Mount (M39x1/26" Leica)**

any rotation angle adjustable (V-groove)  
attachment thread M45x0.75, male

**FA22R-45** Order Code  
length L: 22 ... 32 mm

**FA22RL-45** Order Code  
length L: 29 ... 38 mm




**A3 Lens Adapter F-Mount**

for line scan cameras with case type **Axx** or **BGx**.

**AOC-F-...** Order Code

Attachment thread:  
45 = M45x0.75  
40 = M40x0.75  
32 = M32x0.75  
C = C-Mount 1"-32-TP



**ZR-L Extension rings M45x0.75**

attachment threads M45x0.75 male/female

**ZR-L.25** Order Code

└ 15 = Length 15 mm  
25 = Length 25 mm  
60 = Length 60 mm  
87 = Length 87 mm

