



Line Scan Camera SK2048CTDI

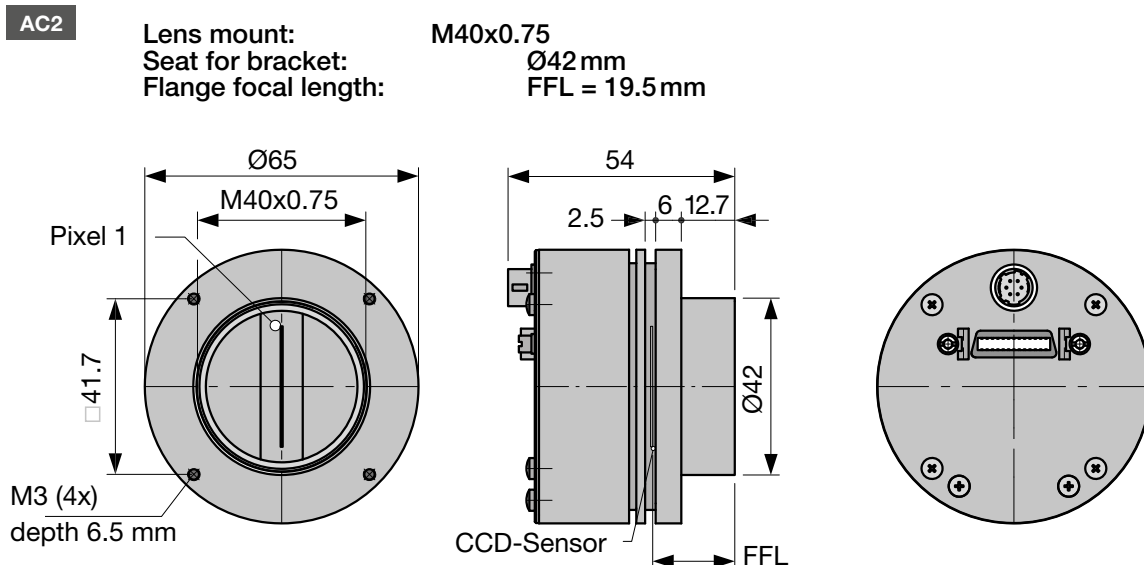
96-stages Time Delay and Integration Digital camera with very high sensitivity and high line frequency, gain and offset adjustable by PC, anti blooming



Specifications

| | |
|------------------------|-------------------------------|
| Sensor type: | CCD TDI Sensor |
| Pixel number: | 96x 2048 |
| Pixel size: | 13 x 13 μm^2 |
| Pixel distance: | 13 μm |
| Active sensor length: | 26.6 mm |
| max. pixel frequency: | 100 MHz |
| max. line frequency: | 43.4 kHz |
| Anti blooming: | x |
| Integration Control: | - |
| Shading correction: | x |
| Threshold mode: | - |
| Spectral sensitivity: | 400 - 1000 nm |
| Dynamic range: | 1:2500 (rms) |
| min. exposure time: | 0.023 ms |
| max exposure time: | 1 ms |
| Video signals: | monochrome 2*8/12 Bit digital |
| Signal in/out: | Camera Link |
| Power supply: | +5V, +15V |
| Size: | $\varnothing 65$ mm x 54 mm |
| Case type: | AC2 |
| Mass: | 0.2 kg |
| Lens mount: | M40x0.75 |
| Seat for bracket: | $\varnothing 42$ mm |
| Flange focal length: | 19.5 mm |
| Operating temperature: | +5 ... +45°C |

Dimensions



Accessories

Power supply unit PS051515

Input: 100-240 VAC, 0.8 A, 50/60 Hz
IEC 60320 C14 coupler (for IEC C13 power cord)


Output: +5VDC, 2.5 A / +15VDC, 0.5 A / -15VDC, 0.3 A
Cable length: 1 m, with Lumberg connector KV60, female 6-pin

PS051515 **Order Code**

Power cord IEC 60320 C13, 1.5 m, 10 A, 250 V AC

PC150DE **Order Code**

DE = Europe / US = USA, Canada, Japan /
UK = United Kingdom




Control cable SK9018...

26-pin shielded cable, both ends with mini-ribbon connector (male 26-pin)

SK9018.x-MM **Order Code**

MM = connector both ends male
cable length 3 / 5 m or
length according to choice,
max. 10 m




Power cable SK9015.x

for GigE Vision™, CameraLink and externally supplied USB3 line scan cameras.

Shielded cable with Hirose plug HR10A, female 6-pin (camera side), and Lumberg SV60, male 6-pin connector (power supply unit side).

SK9015.x **Order Code**

cable length 0.2 / 1.5 m



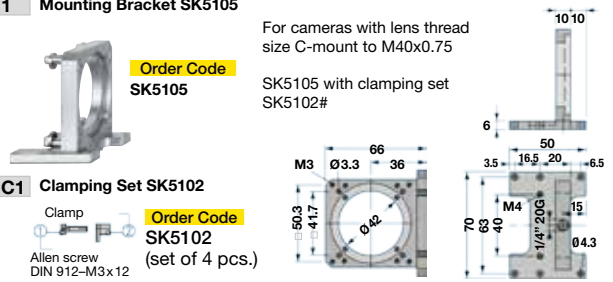
M1 Mounting Bracket SK5105

For cameras with lens thread size C-mount to M40x0.75

SK5105 with clamping set SK5102#

MC1 Clamping Set SK5102

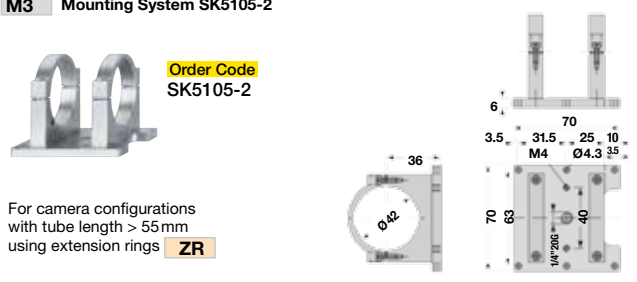
Clamp **Order Code SK5102** (set of 4 pcs.)
Allen screw DIN 912-M3x12



M3 Mounting System SK5105-2

Order Code SK5105-2

For camera configurations with tube length > 55 mm using extension rings **ZR**

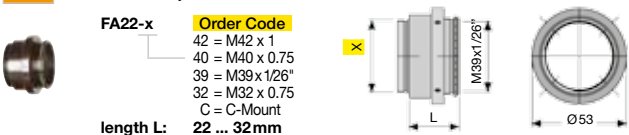


FA1 Focus adapter FA22...

FA22-x **Order Code**

42 = M42 x 1
40 = M40 x 0.75
39 = M39 x 1/26"
32 = M32 x 0.75
C = C-Mount

length L: 22 ... 32 mm




A3 Lens Adapter F-Mount

for line scan cameras with case type **Axx** or **BGx**

AOC-F-... **Order Code**

Attachment thread:
45 = M45x0.75
40 = M40x0.75
32 = M32x0.75
C = C-Mount 1"-32-TP

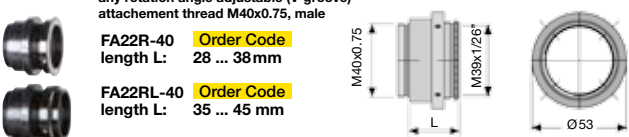


FA2 Focus adapter L-Mount (M39x1/26" Leica)

any rotation angle adjustable (V-groove)
attachment thread M40x0.75, male

FA22R-40 **Order Code**
length L: 28 ... 38 mm

FA22RL-40 **Order Code**
length L: 35 ... 45 mm



ZR Extension rings L-Mount (M39x1/26" Leica)

attachment threads M39x1/26" male/female

ZR 10 **Order Code**

10 = Length 10 mm
15 = Length 15 mm
20 = Length 20 mm
50 = Length 50 mm

