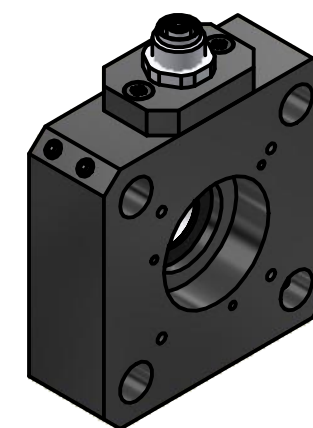


clamping screws (8x) for rod Ø6



Dimensions DIN EN ISO 14405	Scale: 2:1		
	48EMS-6		
	Date	Name	Electro-mechanical Shutter for cage system "Multicube" Customer Drawing
	editor	19.07.2021 Lamott	
	exam.		
	free		
Schäfter+Kirchhoff OPTICS, METROLOGY, AND PHOTONICS GmbH			9809-1131-0401 Size: A3 Page: 1
File: 980911310401.idw			Model: 980911310401.iam