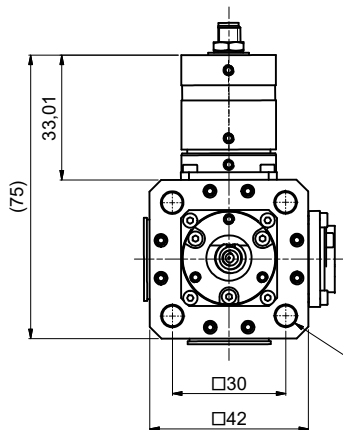


B-B

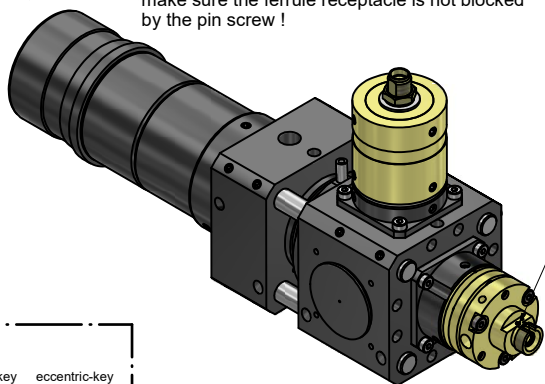
clamp screws for locking optics position (3x120°)
using hex-key size 1.5mm
50HD-15 ①

adjustment of focus setting
using eccentric-key 55EX-5 ③

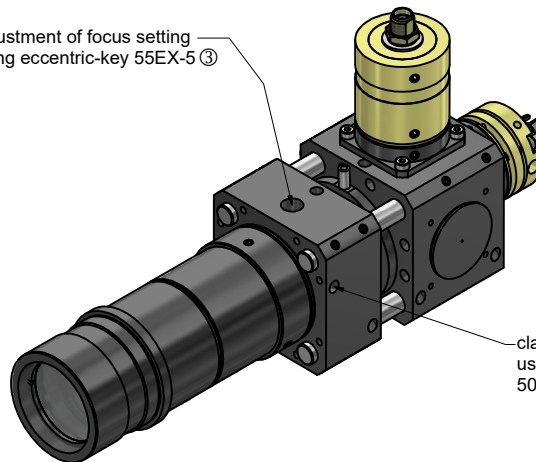


rod Ø6 (4x)

! Pin screw for additional locking of the fiber ferrule:
- before pulling the FC-connector:
unlock the pin screw.
- before inserting the FC-connector:
make sure the ferrule receptacle is not blocked
by the pin screw !



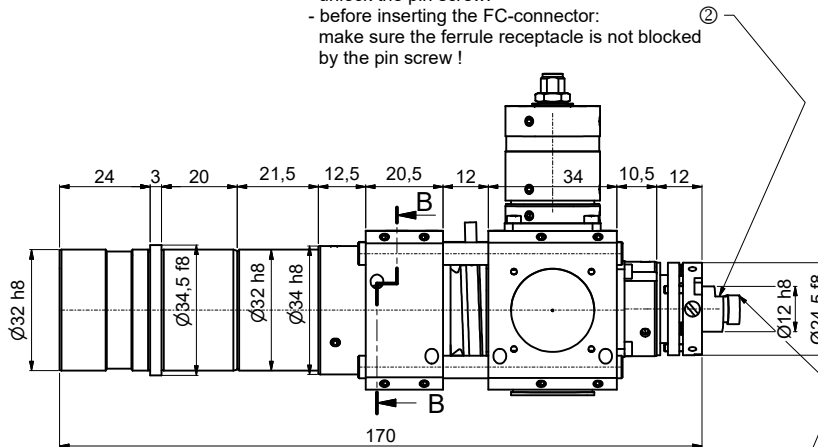
adjustment of focus setting
using eccentric-key 55EX-5 ③



clamp screws for locking optics position (3x120°)
using hex-key size 1.5mm
50HD-15 ①

! Don't touch any other screws !

! Pin screw for additional locking of the fiber ferrule:
- before pulling the FC-connector:
unlock the pin screw.
- before inserting the FC-connector:
make sure the ferrule receptacle is not blocked
by the pin screw !



Fiber receptacle
type FC-APC
(wide key)

Tools for assembly
and adjustment

hex-key
size 1.5mm
50HD-15 ①

screw driver
size 1.2mm
9D-12 ②

eccentric-key
55EX-5 ③

eccentric-key
55EX-4 ④

①



②



③



④



For information only
Not for manufacturing purposes

Dimensions DIN EN ISO 14405				Scale: 1:1
Custom0019				
Date		Name		Fiber Collimator 60FC-PD-Q852Z-4-F60 Customer Drawing
editor	18.03.2020	Trapp		
exam.				
free				
Schäfer+Kirchhoff OPTICS, METROLOGY AND PHOTONICS				9802-4110-0513
File: 980241100513.idw				Model: 980241100513.iam
				Size: A2 Page: 1