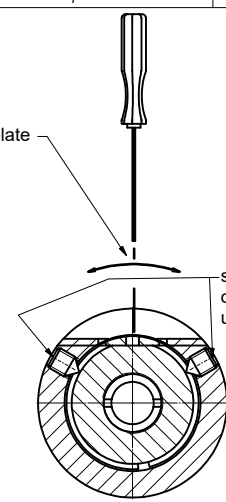
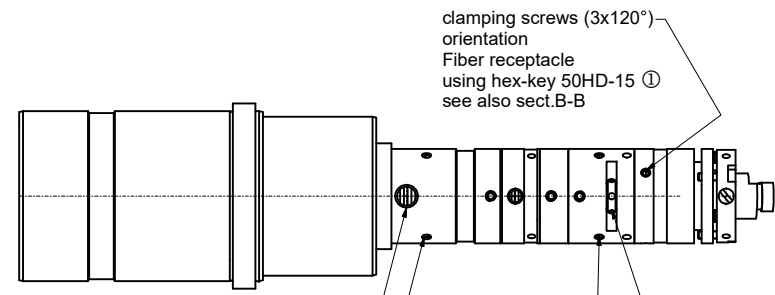


B-B

adjustment of orientation waveplate by rotation the optics using hex-key 50HD-15 ①



screws (2x120°) for locking orientation waveplate using hex-key 50HD-15 ①



clamping screws (3x120°) orientation Fiber receptacle using hex-key 50HD-15 ① see also sect.B-B

Adjustment telescope with excenter key 55EX-5 ③

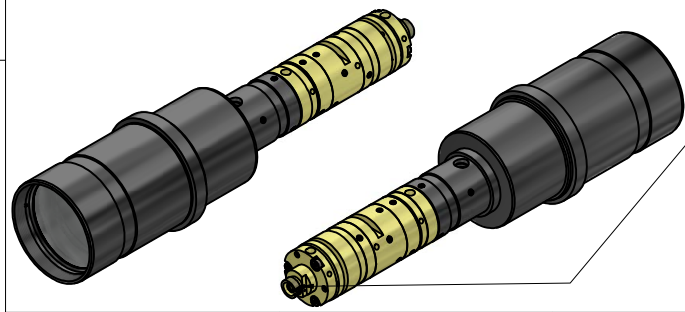
clamp screws for adjustment telescope (2x120°) using hex-key size 1.5mm 50HD-15 ①

screws (2x120°) for locking orientation waveplate using hex-key 50HD-15 ① see also sect.B-B

adjustment of orientation waveplate by rotation the optics using hex-key 50HD-15 ① see also sect.B-B

Tools for assembly and adjustment

hex-key size 1.5mm 50HD-15 ①	screw driver size 1.2mm 9D-12 ②	eccentric-key 55EX-5 ③



! Pin screw for additional locking of the fiber ferrule:
 - before pulling the FC-APC-connector:
 unlock the pin screw with screw driver 9D-12. ②
 -before inserting the FC-APC-connector:
 make sure the ferrule receptacle is not blocked by the pin screw !

! Don't tough other screws !

For information only
 Not for manufacturing purposes

Allgemeintoleranz ISO 2768 - f		Maßstab: 1:1	
Datum: 06.04.2017		Name: A.Trapp	
Fiber Collimator			
60FC-E-Q780-4-F57x114			
60FC-4-Q780-F57x114			
Schäfer&Kirchhoff OPTO-SENSORIK UND MESSTECHNIK			Blatt A2
9802-4110-0307			Blatt: 2
Zust.	Änderungen	Datum	Name
		Datei: 980241100307.idw	Model: 980241100307.iam