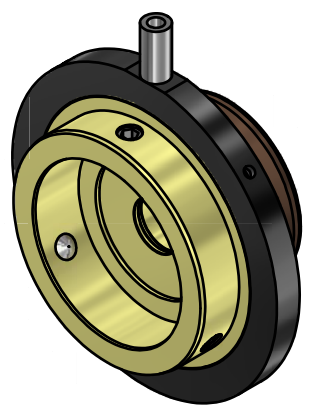


clamp screws (3x120°)  
for system mount  $\varnothing 19.5$   
using hex-key size 1.5mm



Dimensions DIN EN ISO 14405		Scale: 2:1			
		19.5AC-19.5-ROT			
		Date		Name	
		09.02.2022		Trapp	
		editor			
		exam.			
		free			
		Customer Drawing			
		Schäfter+Kirchhoff OPTICS, METROLOGY, AND PHOTONICS			9802-1003-0100
		File: 980210030100.idw			Model: 980210030100.iam
				Size: A3	
				Page: 2	