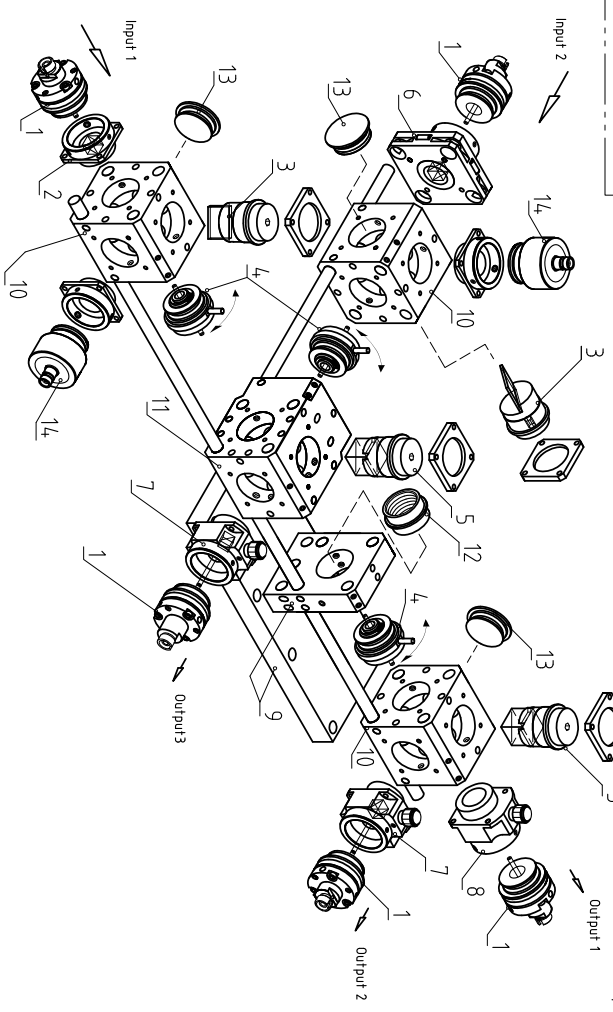
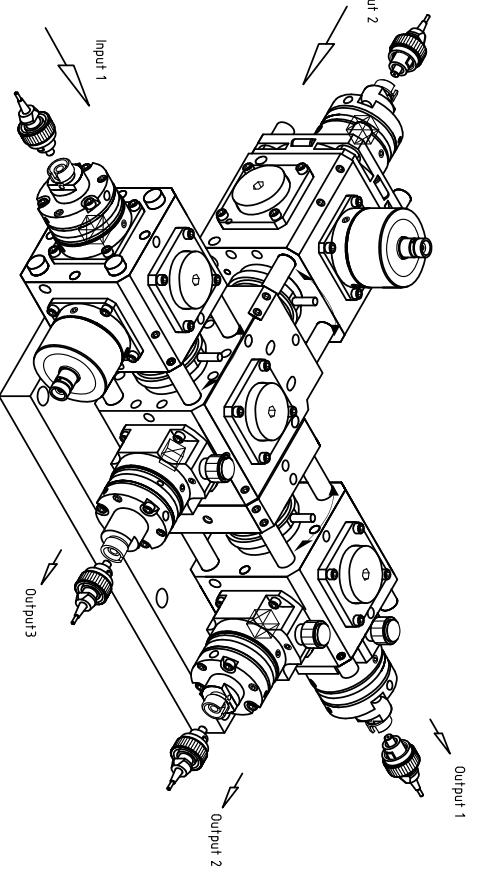
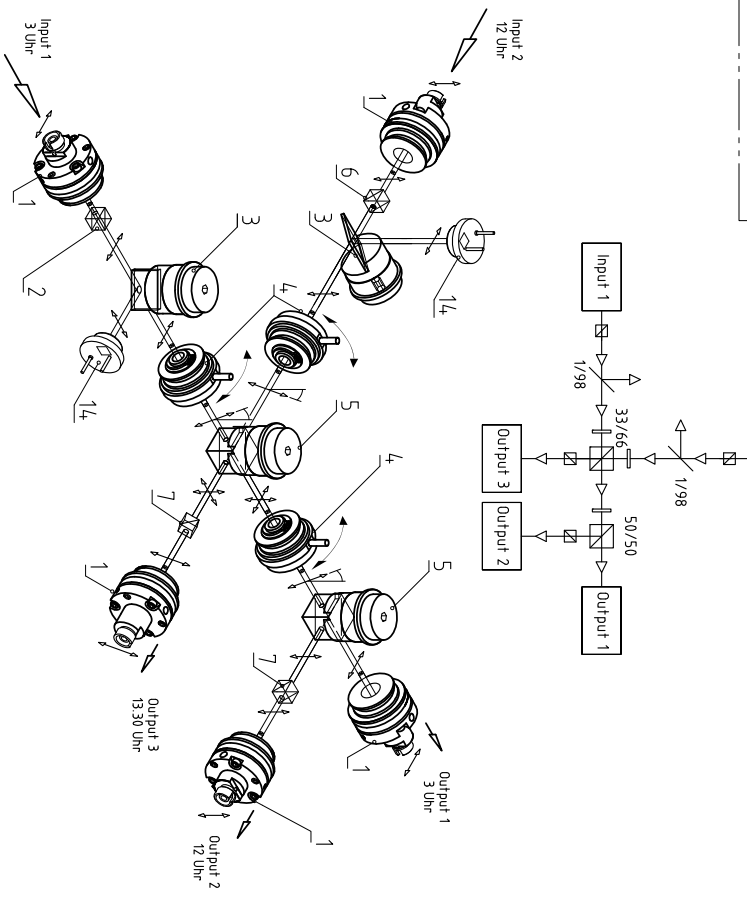


exploded view



optical scheme



- | | |
|--|--|
| 5 x pos. 1: 60SMS-1-4-XXX-xx
Laser Beam Coupler | 1 x pos. 9: 48MB19.5-150
Console |
| 1 x pos. 2: 48PM-SE1
Polarizer (small) in off axis adj. mount | 3 x pos.10: 48MC-SM-19.5
Combination cube |
| 2 x pos. 3: 48BS
Beam splitter 99-1 | 1 x pos. 11: 48MC-LTS-19.5
Combination cube |
| 3 x pos. 4: 48WP
Retarding optics lambda/2 | 1x pos. 12: 48S-19.5
Spacer |
| 2 x pos. 5: 48PM
Polarization beam splitter in adjustment mount | 7 x pos. 13: 48C-19.5
Cap |
| 1 x pos. 6: 48PM-SXY1
Polarizer (small) in off axis adj. mount | 2 x pos. 14: 48PD-65
Photo diode for monitoring |
| 2 x pos. 7: 48PM-AT-19.5AC
Polarizer (small) and attenuator | 1 x pos. 15: MON
System assembly and pre-adjustment |
| 1 x pos. 8: 48AT-19.5AC-S1
Attenuator | |

DIN 7168	Oberfläche	Maßstab	1:2	Position	Menge
fein					
mittel					
grob					

Name	Datum	Name
Bearb. 25.03.2014		
Gepr.		
Norm		

Schäfer & Kirchoff
 OPTIK-SYSTEME UND MESSTECHNIK
 optik@schaeferkirchoff.de
 EDV Nr. 980129090571

Zust.	Änderung	Datum	Name

fiber port cluster 2 to 3-mod.1
 03/2014

9801-2909-0571