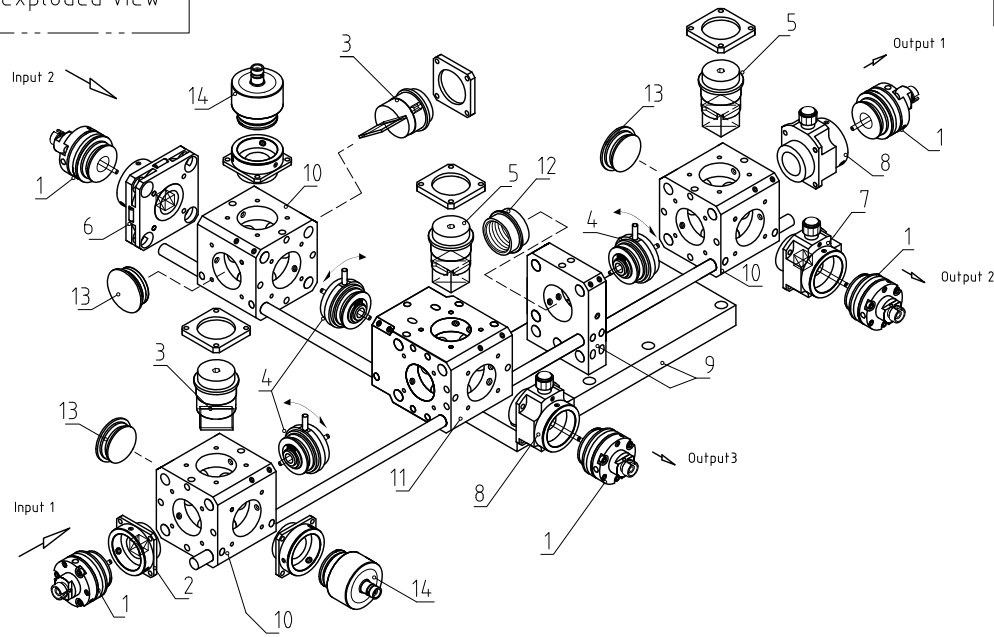
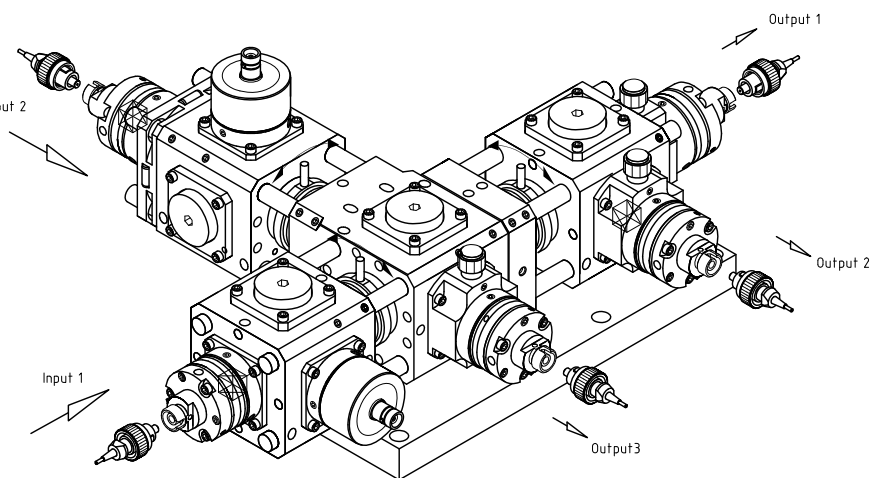
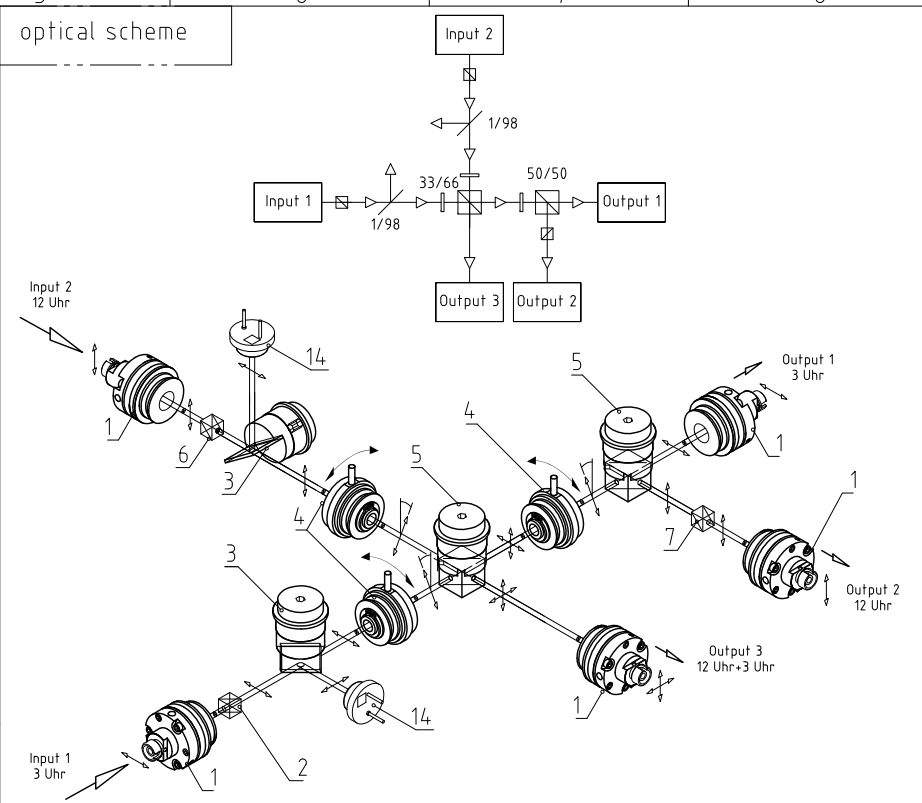


exploded view



optical scheme



- 5 x pos. 1: 60SMS-1-4-XXX-xx
Laser Beam Coupler
- 1 x pos. 2: 48PM-SE1
Polarizer (small) in off axis adj. mount
- 2 x pos. 3: 48BS
Beam splitter 99:1
- 3 x pos. 4: 48WP
Retarding optics lambda/2
- 2 x pos. 5: 48PM
Polarization beam splitter in adjustment mount
- 1 x pos. 6: 48PM-SXY1
Polarizer (small) in off axis adj. mount
- 1 x pos. 7: 48PM-AT-19.5AC
Polarizer (small) and attenuator
- 2 x pos. 8: 48AT-19.5AC-S1
Attenuator
- 1 x pos. 9: 48MB19,5-150
Console
- 3 x pos.10: 48MC-SM-19,5
Combination cube
- 1 x pos. 11: 48MC-LTS-19,5
Combination cube
- 1 x pos. 12: 48S-19,5
Spacer
- 7 x pos. 13: 48C-19,5
Cap
- 2 x pos. 14: 48PD-65
Photo diode for monitoring
- 1 x pos. 15: MON
System assembly and pre-adjustment

		DIN 7168		Oberfläche		Maßstab 1:2		Position		Menge	
		fein mittel grob									
		Datum		Name		fiber port cluster 2 to 3		04/2013		Blatt 1/1	
		Bearb. 09.04.2013									
		Gepr.									
		Norm				9801-2909-0561		Bl 1		09.04.2013	
Zust. Änderung		Datum		Name		EDV Nr. 980129090561					

