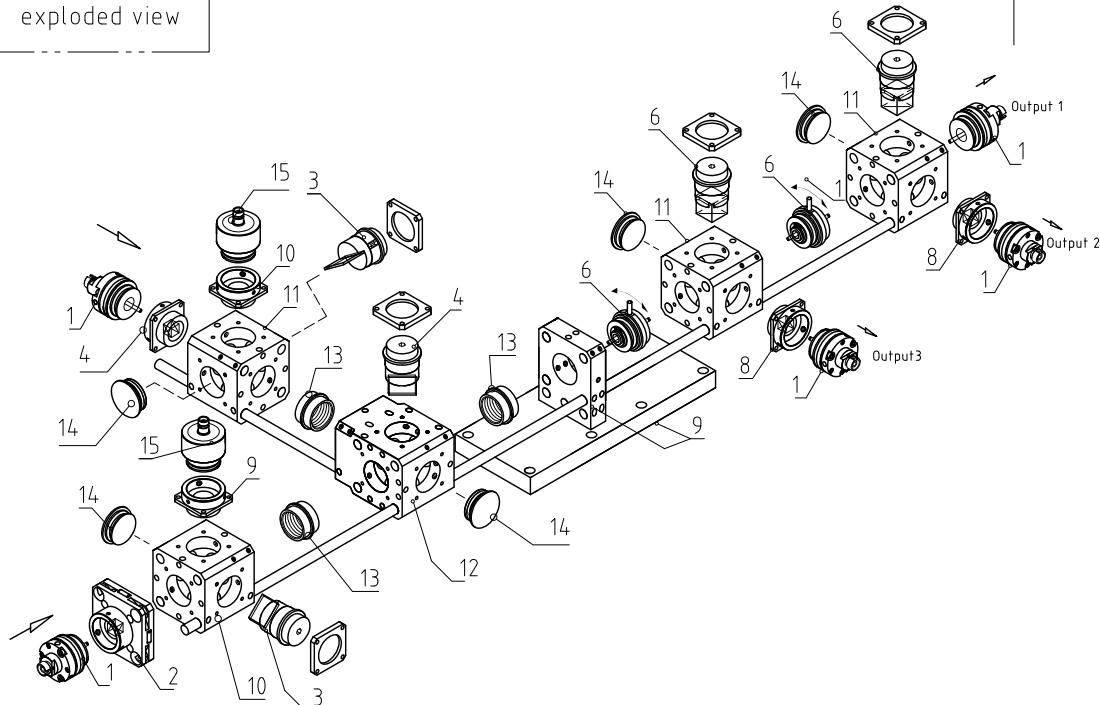
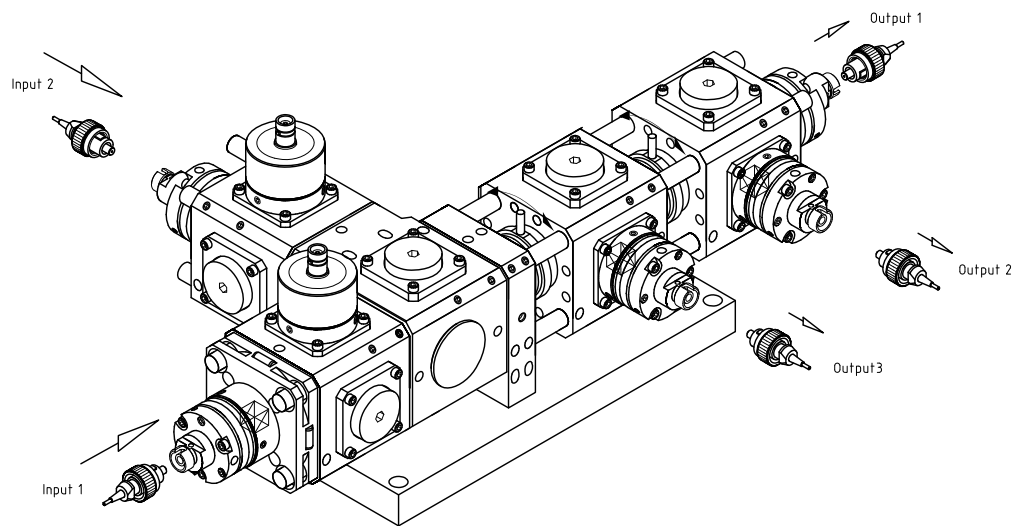
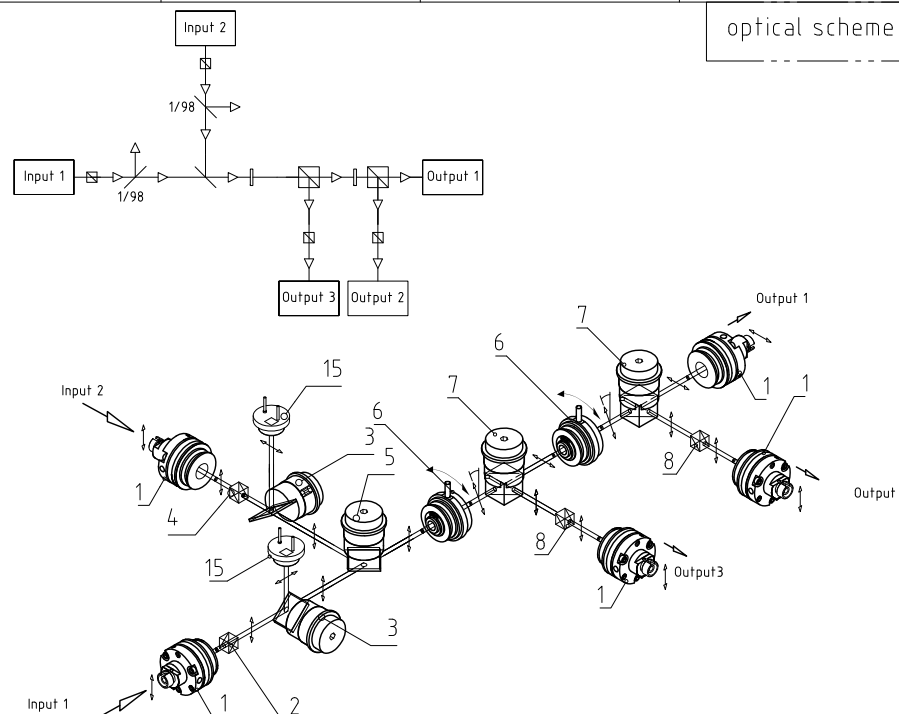


exploded view



optical scheme



- | | |
|--|--|
| 5 x pos. 1: 60SMS-1-4-XXX-xx
Laser Beam Coupler | 1 x pos. 9: 48MB19,5-150
Console |
| 1 x pos. 2: 48PM-SXY1
Polarizer (small) in lateral adj. mount | 2 x pos. 10: 48MC-19,5AC
Adapter |
| 2 x pos. 3: 48BS
Beam splitter 98:1 | 4 x pos. 11: 48MC-SM-19,5
Combination cube |
| 1 x pos. 4: 48PM-S-D
Polarizer (small) in off axis adj. mount | 1 x pos. 12: 48MC-LTS-19,5
Combination cube |
| 1 x pos. 5: 48BC
Beam combiner | 3 x pos. 13: 48S-19,5
Spacer |
| 2 x pos. 6: 48WP
Retarding optics lambda/2 | 10 x pos. 14: 48C-19,5
Cap |
| 2 x pos. 7: 48PM
Polarization beam splitter in adjustment mount | 2 x pos. 15: 48PD-65
Photo diode for monitoring |
| 2 x pos. 8: 48PM-S
Polarizer (small) in adj. mount | 1 x pos. 16: MON
System assembly and pre-adjustment |

DIN 7168		Oberfläche	Maßstab 1:2	Position	Menge
fein	mittel	grob	#502570		
	Datum	Name	fiber port cluster 2 to 3 lp		
	Bearb. 12.11.2010				
	Gepr.				
	Norm				
Schäfter&Kirchhoff			9801-2909-0507	Blatt	1/1
OPTO-SENSORIK UND MESSTECHNIK					
OPTIK-ENTWICKELUNG/ELEKTRONIK-SENSORTECHNOLOGIE/SOFTWARE					
Zust.	Änderung	Datum	Name	EDV Nr.	980129090507
					12.11.2010