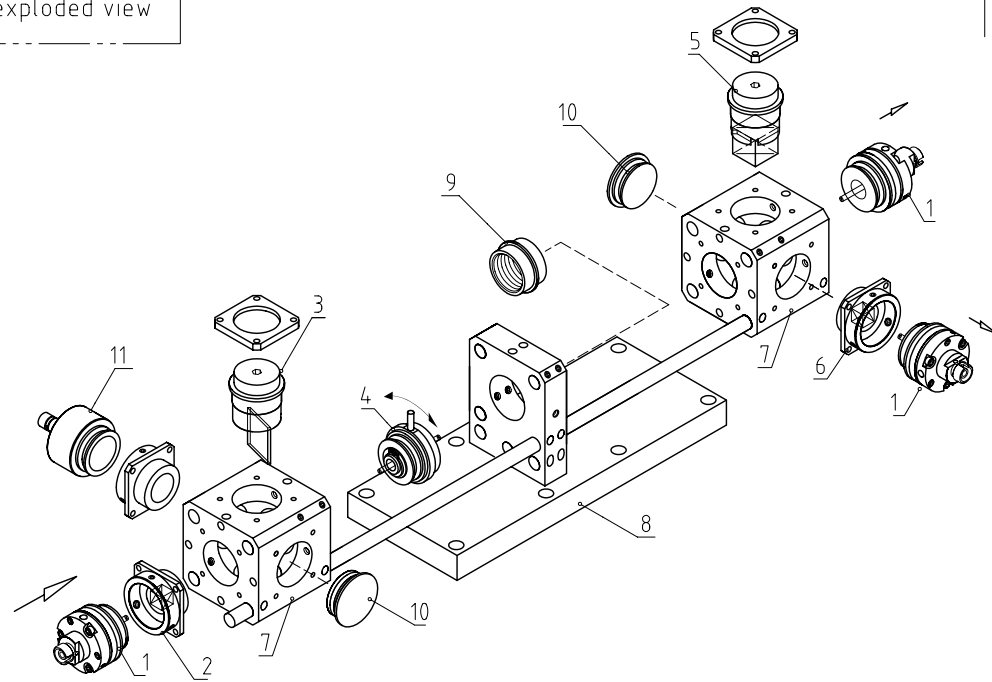
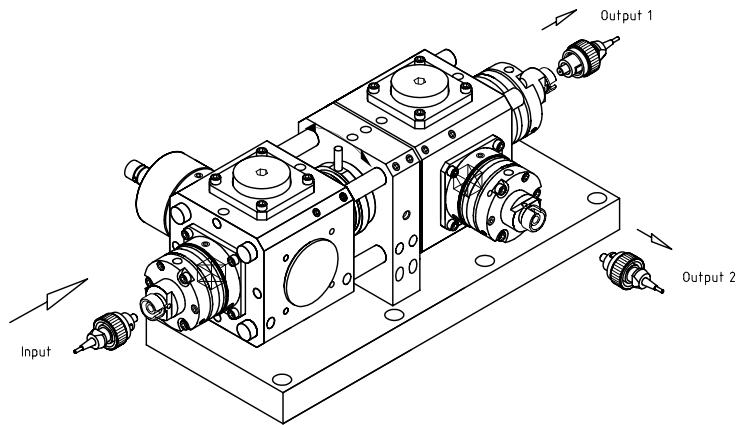
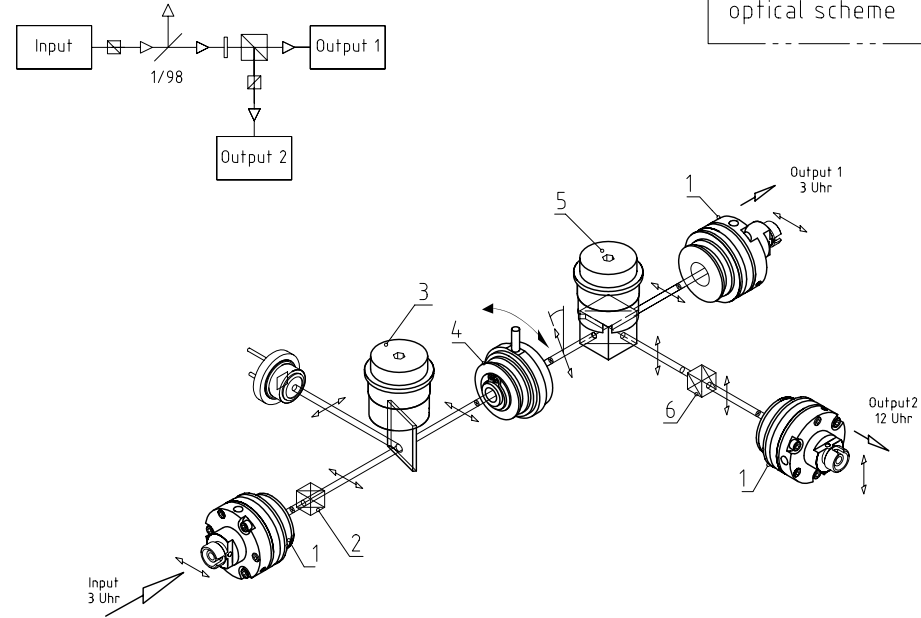


exploded view



optical scheme



- |   |   |
|---|---|
| 3 x pos. 1 : 60SMS-1-4-Xxx-xx<br>Laser Beam Coupler                 | 2 x pos. 7 : 48MC-SM-19,5<br>Combination cube           |
| 1 x pos. 2 : 48PM-S-D<br>Polarizer (small) in off axis adj. mount   | 1 x pos. 8 : 48MB19,5-150<br>Console                    |
| 1 x pos. 3 : 48BS<br>Beam splitter 98:1                             | 1 x pos. 9 : 48S-19,5<br>Spacer                         |
| 1 x pos. 4 : 48WP<br>Retarding optics lambda/2                      | 4 x pos. 10 : 48C-19,5<br>Cap                           |
| 1 x pos. 5 : 48PM<br>Polarization beam splitter in adjustment mount | 1 x pos. 11 : 48PD-BPX61<br>Photo diode for monitoring  |
| 1 x pos. 6 : 48PM-S<br>Polarizer (small) in adj. mount              | 1 x pos. 15 : MON<br>System assembly and pre-adjustment |

DIN 7168 fein mittel grob		Oberfläche	Maßstab 1:2	Position	Menge
			#500680 + #500683 + #500684		
		Datum	fiber port cluster 1 to 2		
		Name			
		Bearb. 11.11.2009			
		Gepr.			
		Norm			
		Schäffer&Kirchhoff		Blatt 1/1	
		OPTO-SENSORIK UND MESSTECHNIK		9801-2909-0491	
		OPTIK-ENTWICKELUNG/ELEKTRONIK-SENSORIK/SOFTWARE		Bl	
Zust.	Änderung	Datum	Name	EDV Nr. 980129090491	11.11.2009