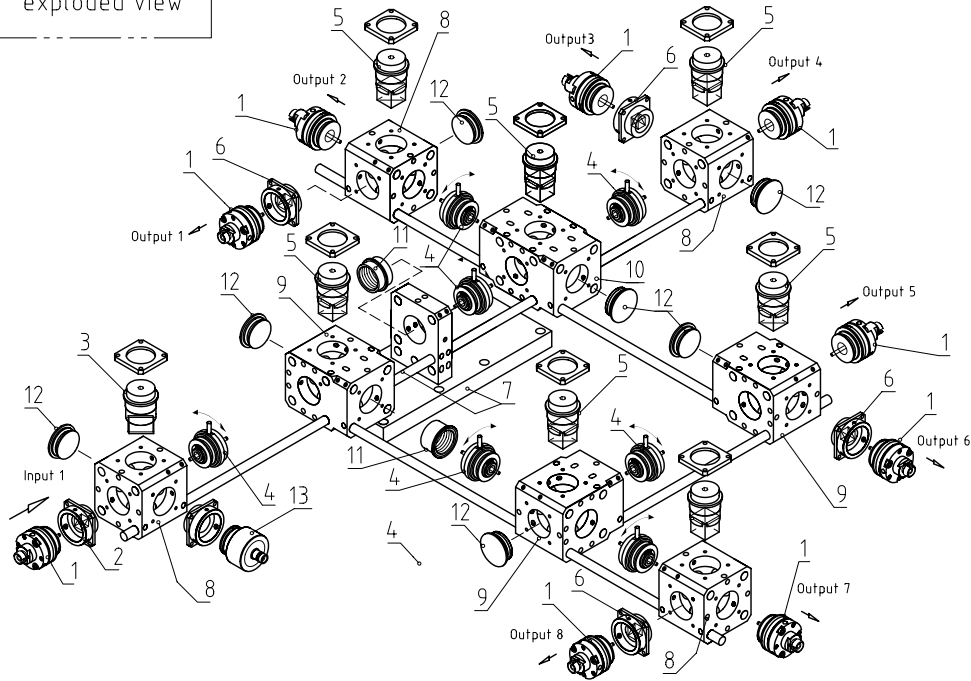
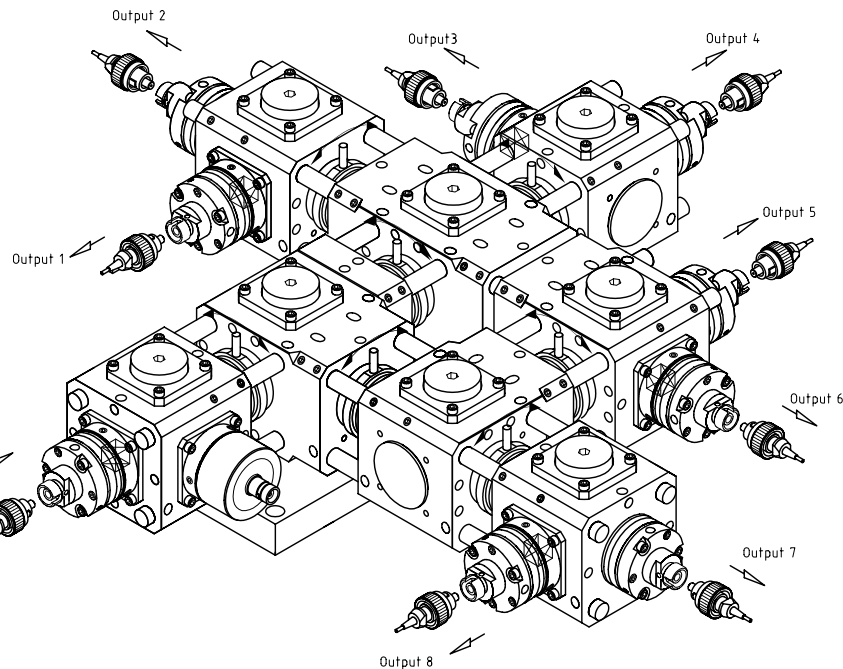
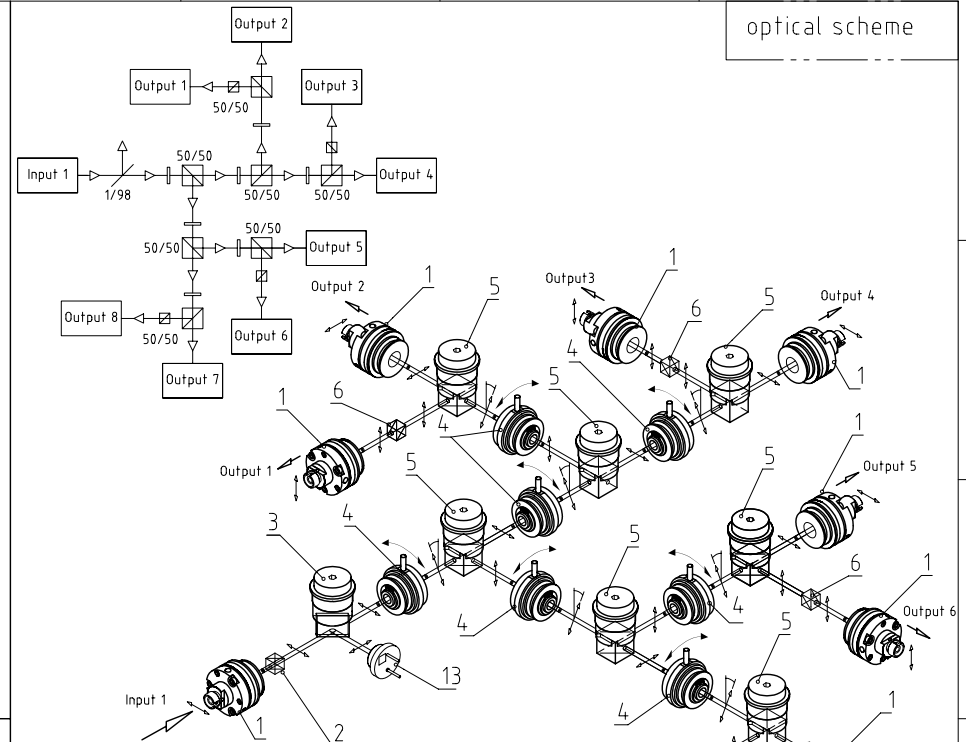


exploded view



optical scheme



- 9 x pos. 1: 60SMS-1-4-Xxx-xx
Laser Beam Coupler
- 1 x pos. 2: 48PM-SE1
Polarizer (small) in off axis adj. mount
- 1 x pos. 3: 48BS
Beam splitter 98:1
- 7 x pos. 4: 48WP
Retarding optics lambda/2
- 7 x pos. 5: 48PM
Polarization beam splitter in adjustment mount
- 4 x pos. 6: 48PM-S
Polarizer (small) in adj. mount
- 1 x pos. 7: 48MB19,5-150
Console
- 4 x pos. 8: 48MC-SM-19,5
Combination cube
- 3 x pos. 9: 48MC-LTS-19,5
Combination cube
- 1 x pos. 10: 48MC-LTD-19,5
Combination cube
- 2 x pos. 11: 48S-19,5
Spacer
- 15 x pos. 12: 48C-19,5
Cap
- 1 x pos. 13: 48PD-65
Photo diode for monitoring
- 1 x pos. 15: MON
System assembly and pre-adjustment

		DIN 7168		Oberfläche		Maßstab 1:2		Position		Menge	
		fein mittel grob									
		Datum		Name		fiber port cluster 1 to 8					
		Bearb. 26.02.2007									
		Gepr.									
		Norm									
		Schäffer&Kirchhoff		OPTO-SENSORIK UND MESSTECHNIK		9801-2909-0448		Blatt 1/1			
Zust. Änderung		Datum		Name		EDV Nr. 980129090448				26.02.2007	