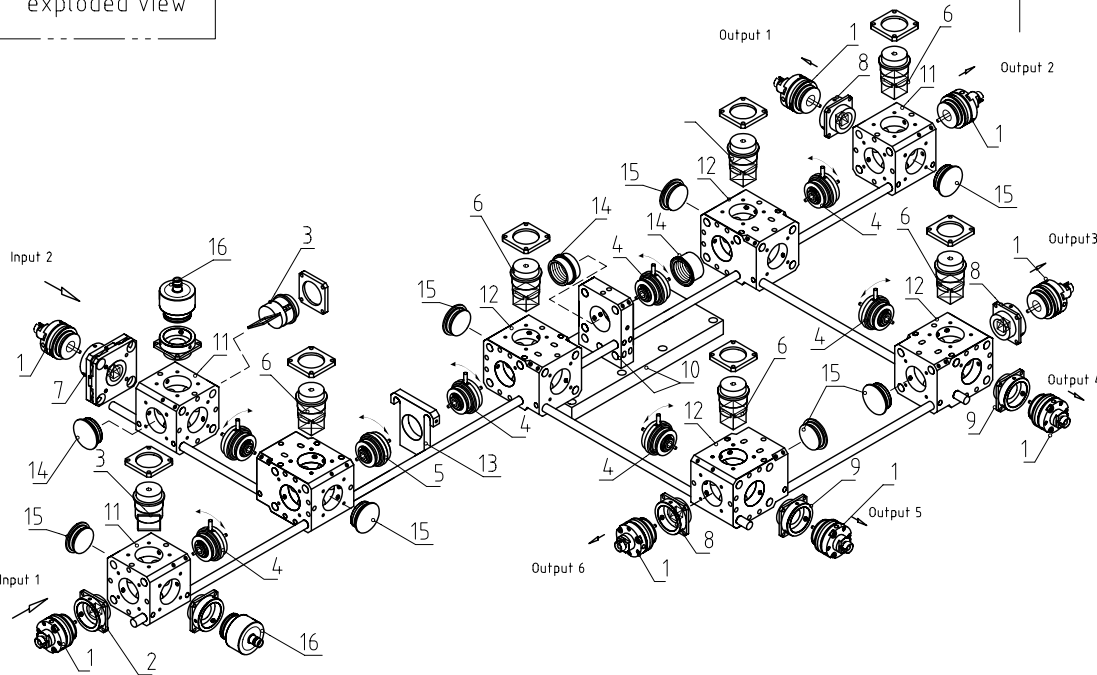
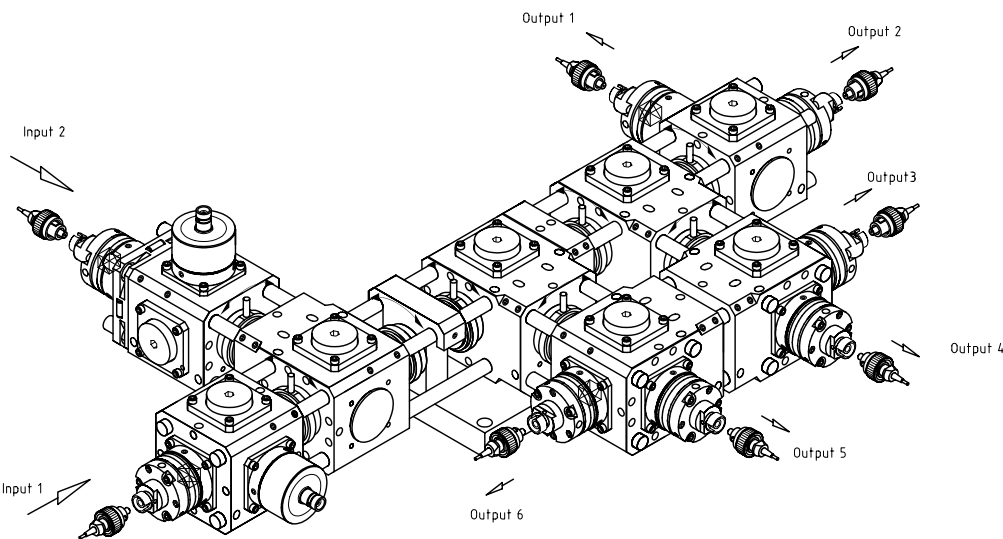
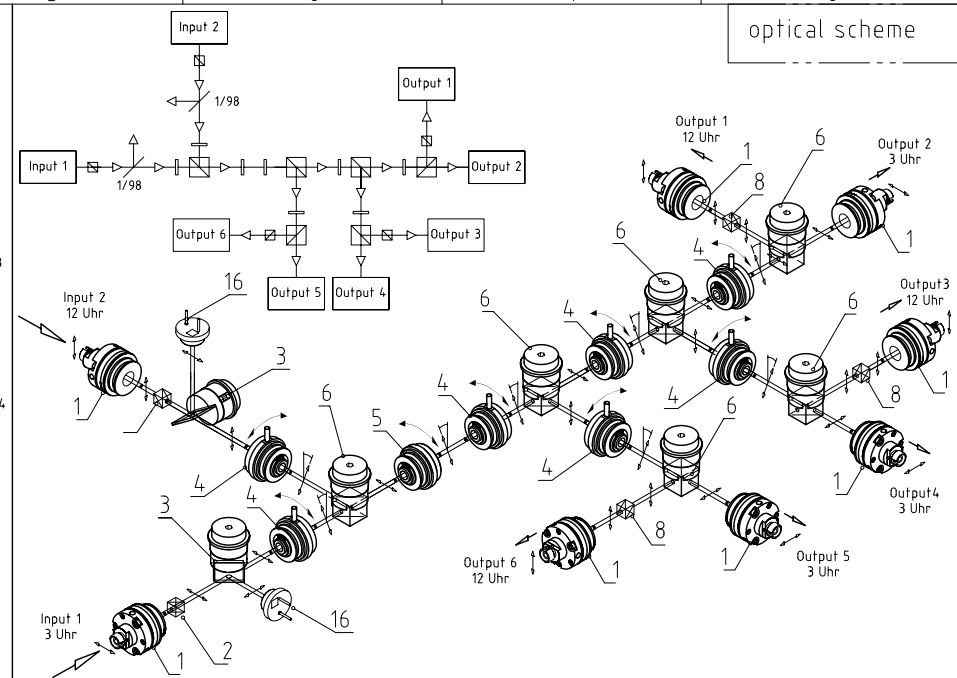


exploded view



optical scheme



- 8 x pos. 1: 60SMS-1-4-Xxx-xx  
Laser Beam Coupler
- 1 x pos. 2: 48PM-S-D  
Polarizer (small) in off axis adj. mount
- 2 x pos. 3: 48BS  
Beam splitter 98:1
- 7 x pos. 4: 48WP  
Retarding optics lambda/2
- 1 x pos. 5: 48WP-DC  
Dichroic retarding optics
- 6 x pos. 6: 48PM  
Polarization beam splitter in adjustment mount
- 1 x pos. 7: 48PM-SXY1  
Polarizer (small) in lateral adj. mount
- 3 x pos. 8: 48PM-S  
Polarizer (small) in adjustment mount
- 2 x pos. 9: 48MC-19.5AC  
Adapter
- 1 x pos. 10: 48MB19,5-150  
Console
- 3 x pos. 11: 48MC-SM-19,5  
Combination cube
- 5 x pos. 12: 48MC-LTS-19,5  
Combination cube
- 1 x pos. 13: 48SP-MP-19,5  
Space-Plate
- 2 x pos. 14: 48S-19,5  
Spacer
- 16 x pos. 15: 48C-19,5  
Cap
- 2 x pos. 16: 48PD-BPX61  
Photo diode for monitoring
- 1 x pos. 17: MON  
System assembly and pre-adjustment

DIN 7168		Oberfläche	Maßstab 1:2	Position	Menge
fein mittel grob					
Datum		Name		fiber port cluster 2 to 6 - dc	
Bearb. 27.11.2006					
Gepr.					
Norm					
		Schäffer&Kirchhoff OPTO-SENSORIK UND MESSTECHNIK <small>OPTIK-ENTWICKELUNGSLÖSUNGSENSENORIKSOFTWARE</small>		9801-2909-0447	
Zust.	Änderung	Datum	Name	EDV Nr.	980129090447
				Blatt 1/1 Bl 27.11.2006	