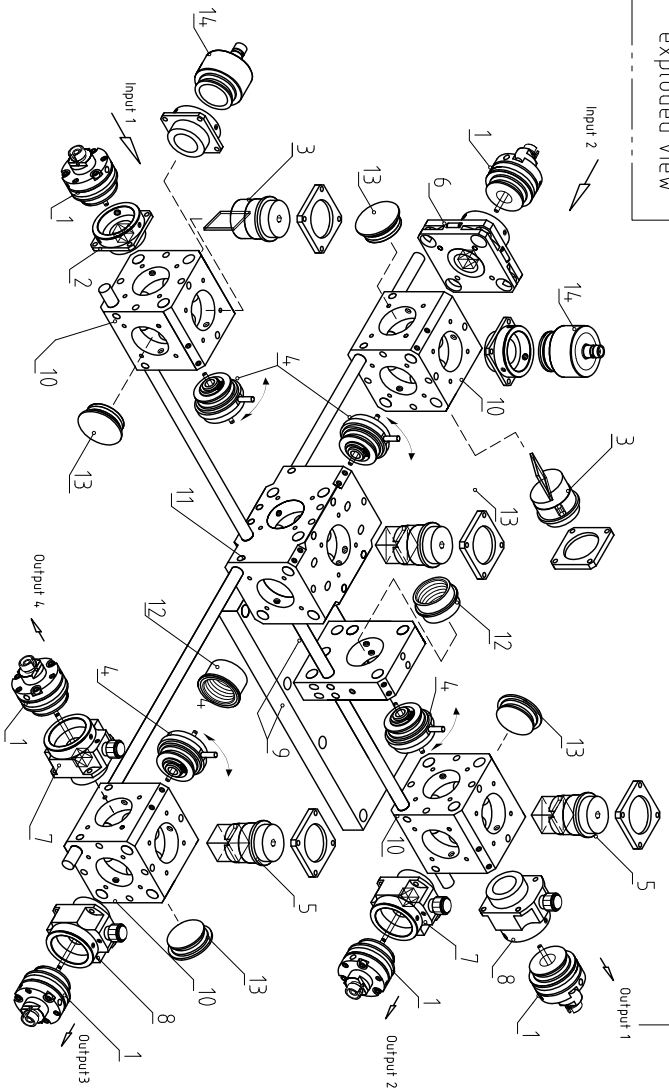
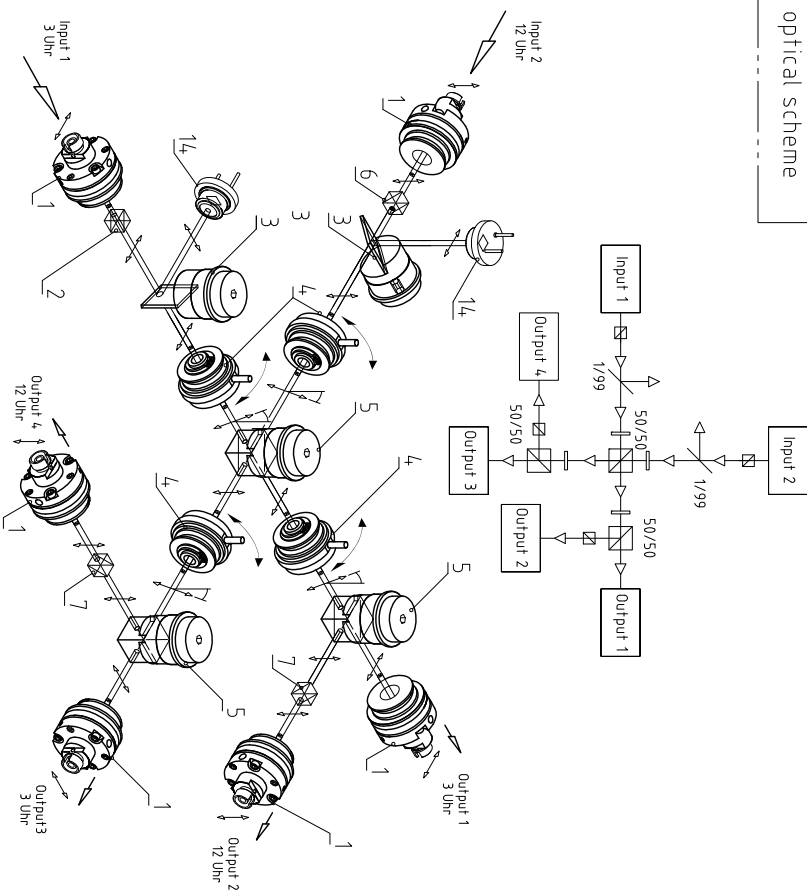


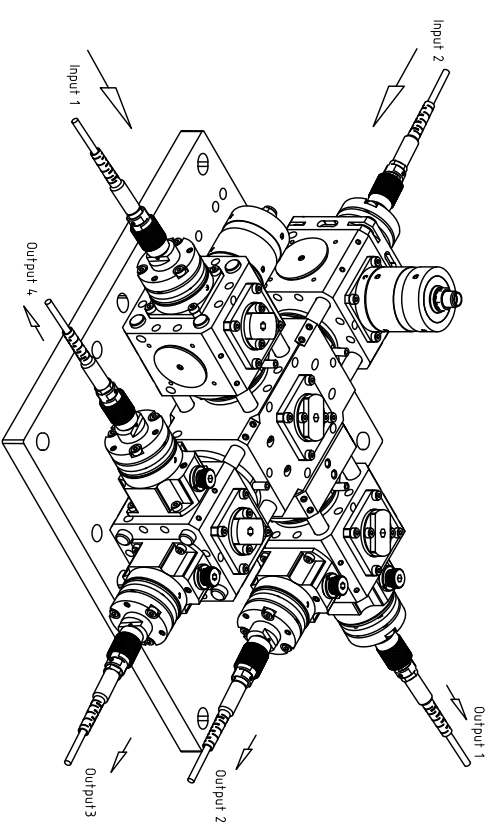
exploded view



optical scheme



- 6 x pos. 1: 60SMS-1-4-XXX-xx  
Laser Beam Coupler
- 1 x pos. 2: 48PM-SFI  
Polarizer (small) in off axis adj. mount
- 2 x pos. 3: 48BS  
Beam splitter 99:1
- 4 x pos. 4: 48WP  
Retarding optics lambda/2
- 3 x pos. 5: 48PM  
Polarization beam splitter in adjustment mount
- 1 x pos. 6: 48PM-SXY1  
Polarizer (small) in off axis adj. mount
- 2 x pos. 7: 48PM-AT-19.5AC  
Polarizer (small) and attenuator
- 2 x pos. 8: 48AT-19.5AC-ST  
Attenuator
- 1 x pos. 9: 48MB19.5-150  
Console
- 4 x pos.10: 48MC-SM-19.5  
Combination cube
- 1 x pos.11: 48MC-LTD-19.5  
Combination cube
- 2x pos. 12: 48S-19.5  
Spacer
- 9 x pos. 13: 48C-19.5  
Cap
- 2 x pos.14: 48PD-65  
Photo diode for monitoring
- 1 x pos. 15: MON  
System assembly and pre-adjustment



DIN 7168	Oberfläche	Maßstab	1:2	Position	Menge
fein mittel grob					
	Name	fiber port cluster 2 to 4			
Bearb. 17.01.2006	Datum				
Gepr.					
Norm					

Schäfer & Kirchoff  
 OPTIK-TECHNIK UND MEßTECHNIK  
 optik@schaeferkirchoff.de  
 EDV Nr. 980129090429

9801-2909-0429

Blatt 1/1  
 BI

20.02.2006