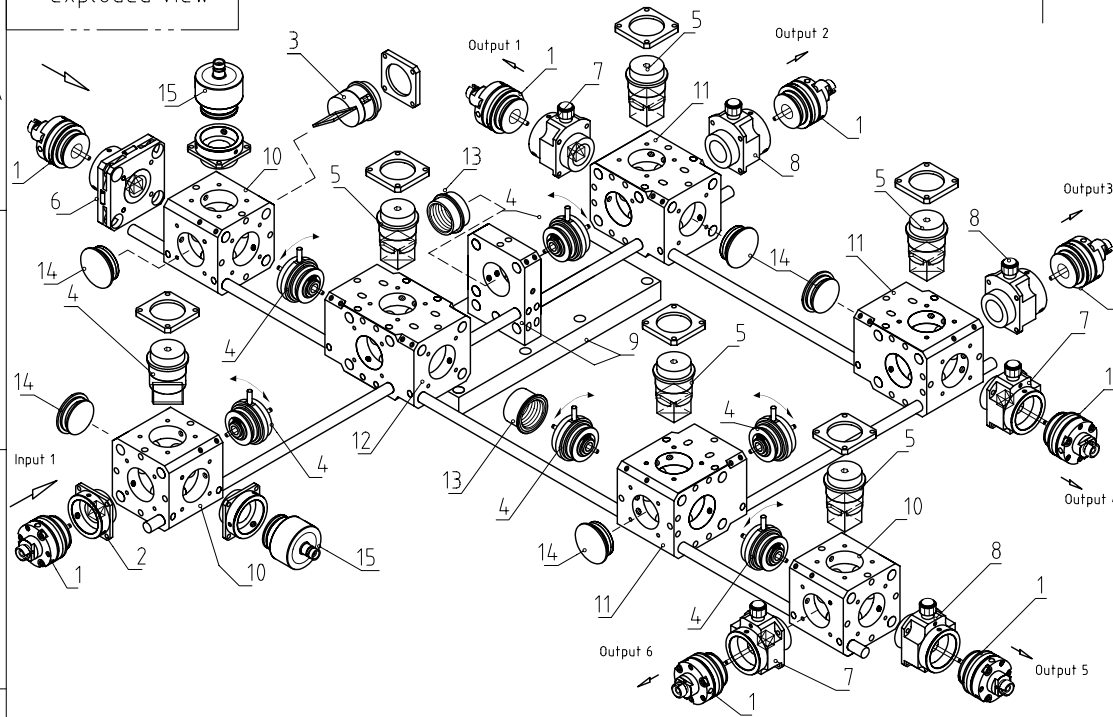
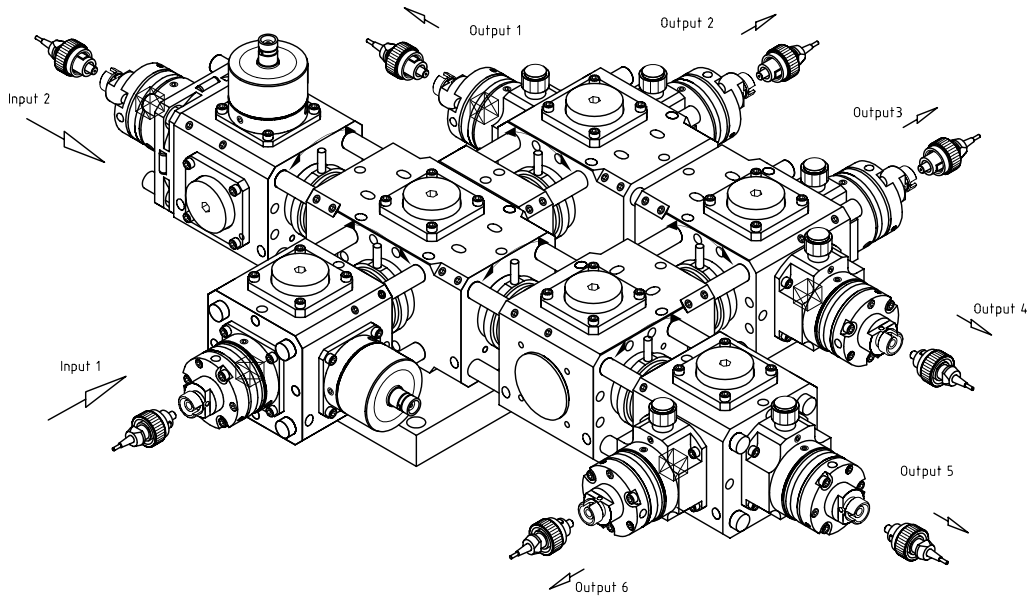
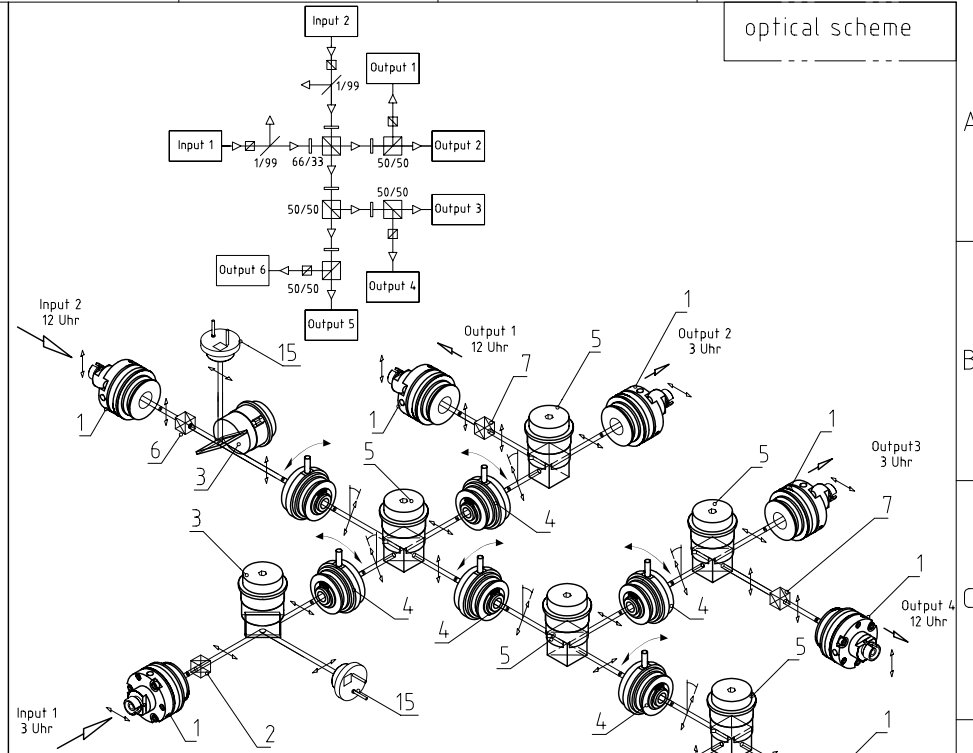


exploded view



optical scheme



- 8 x pos. 1: 60SMS-1-4-Xxx-xx Laser Beam Coupler
- 1 x pos. 2: 48PM-S-D Polarizer (small) in off axis adj. mount
- 2 x pos. 3: 48BS Beam splitter 98:1
- 6 x pos. 4: 48WP Retarding optics lambda/2
- 5 x pos. 5: 48PM Polarization beam splitter in adjustment mount
- 1 x pos. 6: 48PM-SXY1 Polarizer (small) in off axis adj. mount
- 3 x pos. 7: 48PM-AT-19.5AC Polarizer (small) and attenuator
- 3 x pos. 8: 48PM-AT-19.5AC-S1 Attenuator
- 1 x pos. 9: 48MB19,5-150 Console
- 3 x pos. 10: 48MC-SM-19,5 Combination cube
- 3 x pos. 11: 48MC-LTS-19,5 Combination cube
- 1 x pos. 12: 48MC-LTD-19,5 Combination cube
- 2 x pos. 13: 48S-19,5 Spacer
- 13 x pos. 14: 48C-19,5 Cap
- 2 x pos. 15: 48PD-61 Photo diode for monitoring
- 1 x pos. 16: MON System assembly and pre-adjustment

		DIN 7168 fein mittel grob	Oberfläche	Maßstab 1:2	Position	Menge
		Datum	Name	fiber port cluster 2 to 6		
		Bearb. 08.12.2005				
		Gepr.				
		Norm		Schäffer&Kirchhoff OPTO-SENSORIK UND MESSTECHNIK OPTIK-ENTWICKLUNGSLÖSUNGS-SENSORTECHNIKFAKTORE		
		Zust. Änderung	EDV Nr. 980129090415			
				9801-2909-0415		Blatt 1/1
						Bl 08.12.2005