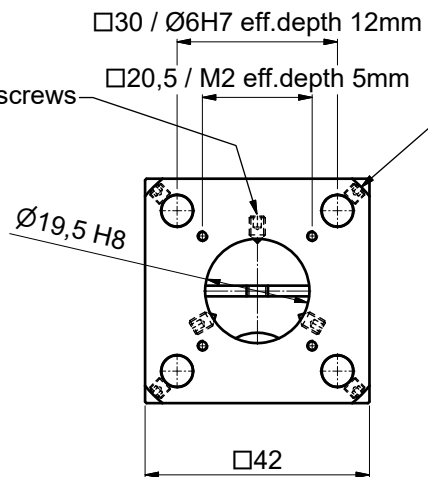
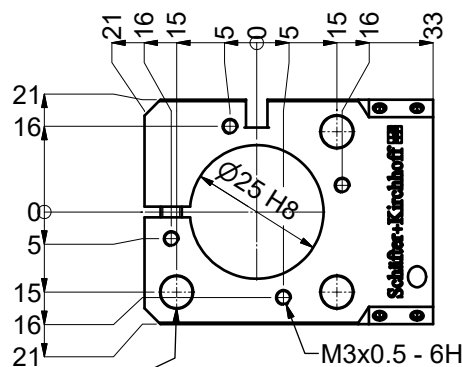
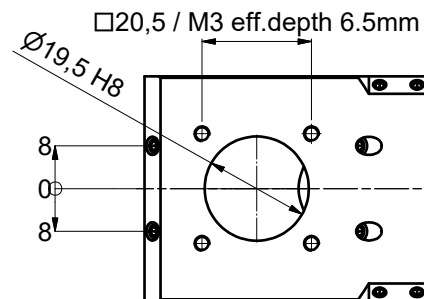


conical clamping screws  
M3x5/3x120°

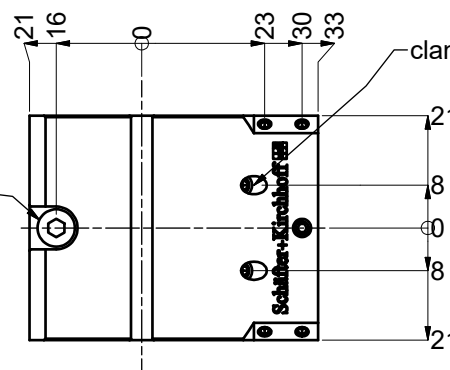


clamping screws (8x) for rod  $\varnothing 6$



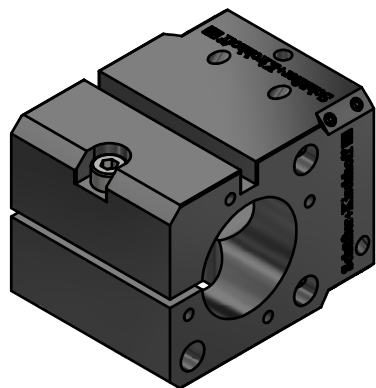
M3x0.5 - 6H

$\varnothing 6H7$  for rod  $\varnothing 6$  (3x90°)



clamping screws (3x) for rod  $\varnothing 6$  (3x)

clamping screw M4 for rod  $\varnothing 25$



For information only  
Not for manufacturing purposes

Dimensions DIN EN ISO 14405					Scale: 1:1
					48MC-LTS-25AM
		Date 16.07.2021	Name Trapp		<b>48MC-LTS-25AM</b>
		editor			clamping mount $\varnothing 25$
		exam.			Customer Drawing
		free			
		Schäfter+Kirchhoff OPTICS, METROLOGY, AND PHOTONICS			9801-2100-0800
		File: 980121000800.idw		Model: 980121000800.iam	Size: A3 Page: 1