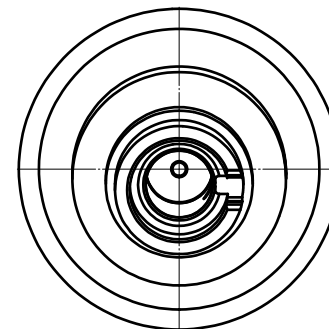
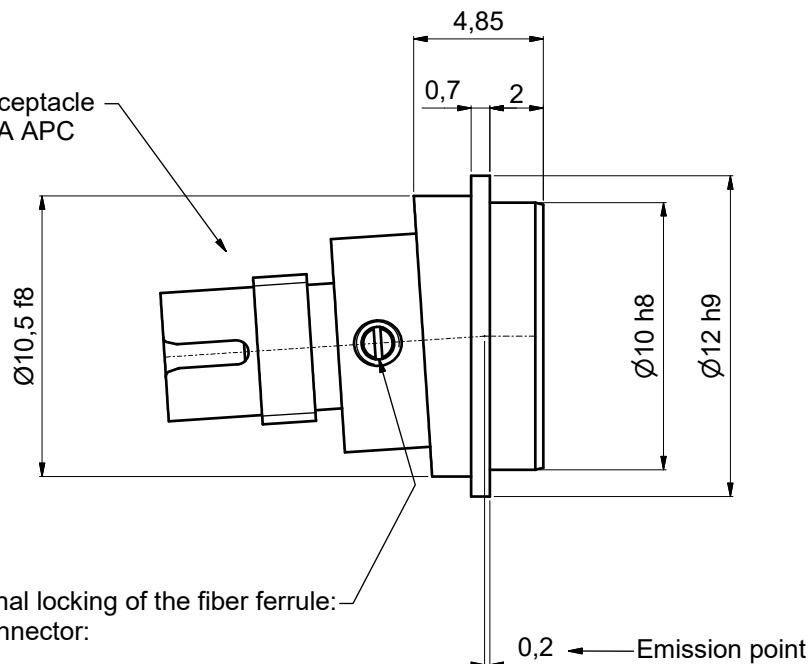


Fiber receptacle
type LSA APC



! Pin screw for additional locking of the fiber ferrule:

- before pulling the connector:
unlock the pin screw.
- before inserting the connector:
make sure the ferrule is not blocked
by the pin screw !

(using screw-driver size 1.2mm 9D-12 ①)

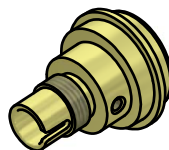
Tools for assembly and adjustment

screw driver
size 1.2mm
9D-12

①



10AF-4-LSA



For information only
Not for manufacturing purposes

Dimensions DIN EN ISO 14405		Scale: 5:1			
		10AF-4-LSA			
		Date	Name	10AF-4-LSA	
		editor	23.03.2021	Trapp	LSA Adapter w/o Optics
		exam.			Customer Drawing
		free			
		Schäfter+Kirchhoff OPTICS, METROLOGY, AND PHOTONICS			9709-2052-0619
		File: 970920520619.idw			Model: 970920520619.iam
					Size: A3
					Page: 1