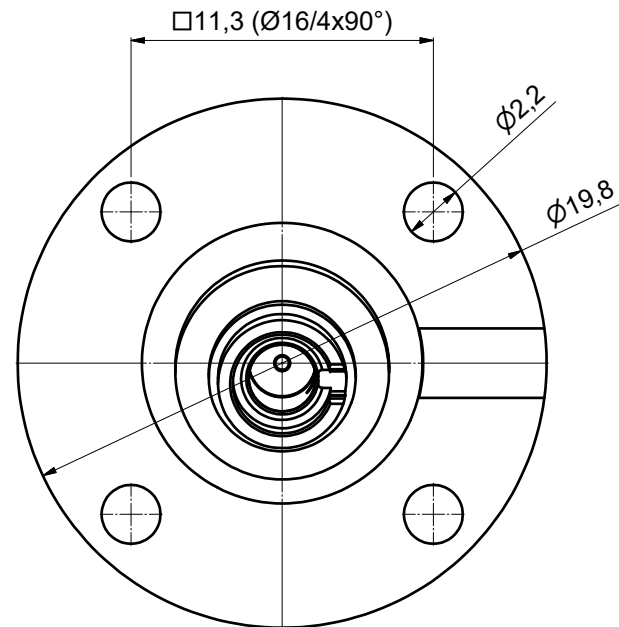
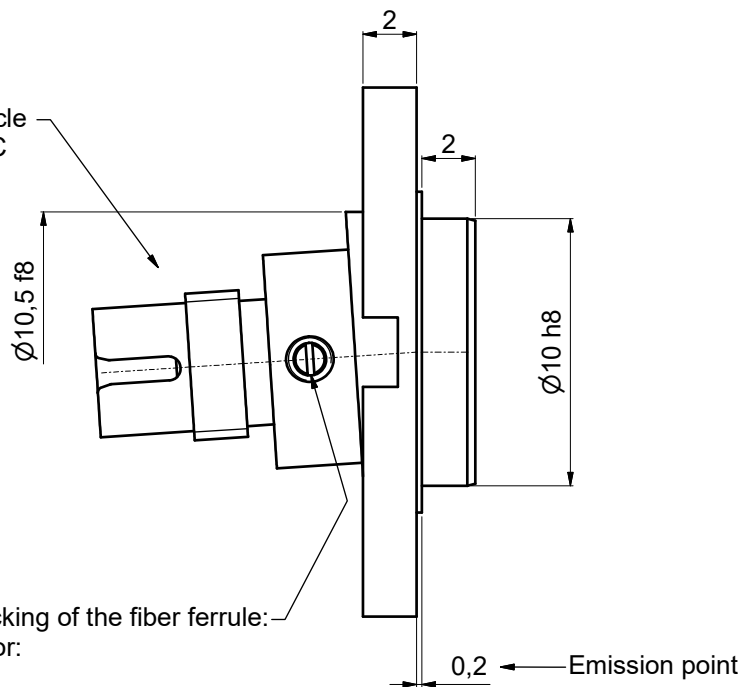


Fiber receptacle
type LSA APC

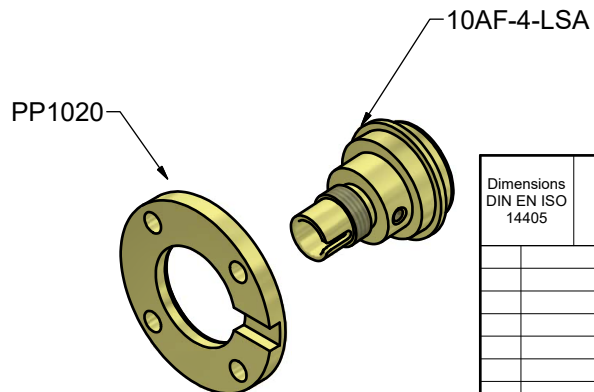
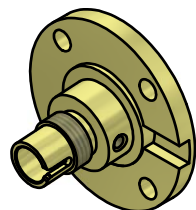


! Pin screw for additional locking of the fiber ferrule:
 - before pulling the connector:
 unlock the pin screw.
 -before inserting the connector:
 make sure the ferrule is not blocked
 by the pin screw!
 (using screw-driver size 1.2mm 9D-12 ①)

Tools for assembly and adjustment

screw driver
size 1.2mm
9D-12

①



For information only
Not for manufacturing purposes

Dimensions DIN EN ISO 14405		Scale: 5:1		10AF-4-LSA + PP1020	
		Date 23.03.2021		Name Trapp	
		editor		10AF-4-LSA + PP1020	
		exam.		LSA Adapter w/o Optics, flange mount	
		free		Customer Drawing	
		Schäfter+Kirchhoff OPTICS, METROLOGY, AND PHOTONICS		9709-2052-0618	
		File: 970920520618.idw		Model: 970920520618.iam	
				Size: A3	
				Page: 1	