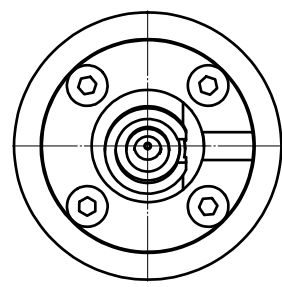
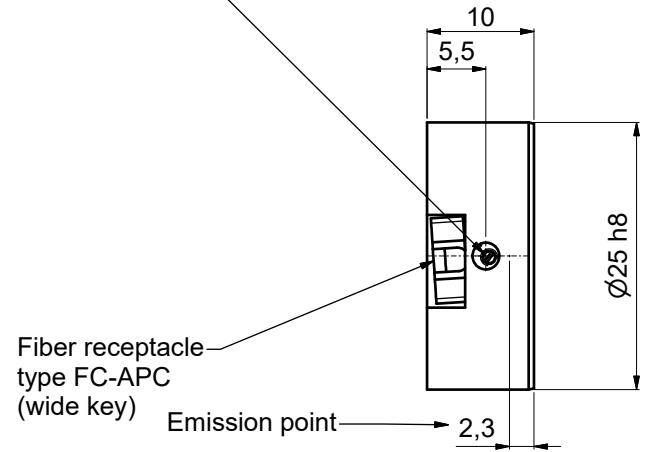


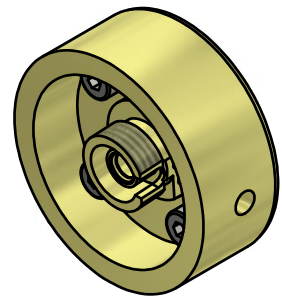
①! Pin screw for additional locking of the fiber ferrule:  
 - before pulling the FC-connector:  
 unlock the pin screw.  
 - before inserting the FC-connector:  
 make sure the ferrule receptacle is not blocked  
 by the pin screw !



Tools for assembly and adjustment

screw driver  
size 1.2mm  
9D-12

①



For information only  
 Not for manufacturing purposes

Dimensions DIN EN ISO 14405		Scale: 2:1			
		25AF-4-FC			
		FC- APC-Adapter			
		25AF-4-FC			
		Customer Drawing			
		Date		Name	
		08.04.2020		A. Trapp	
		editor			
		exam.			
		free			
		Schäfter+Kirchhoff OPTICS, METROLOGY, AND PHOTONICS		9709-2052-0606	
		File: 970920520606.idw		Model: 970920520606.iam	
				Size: A3	
				Page: 1	