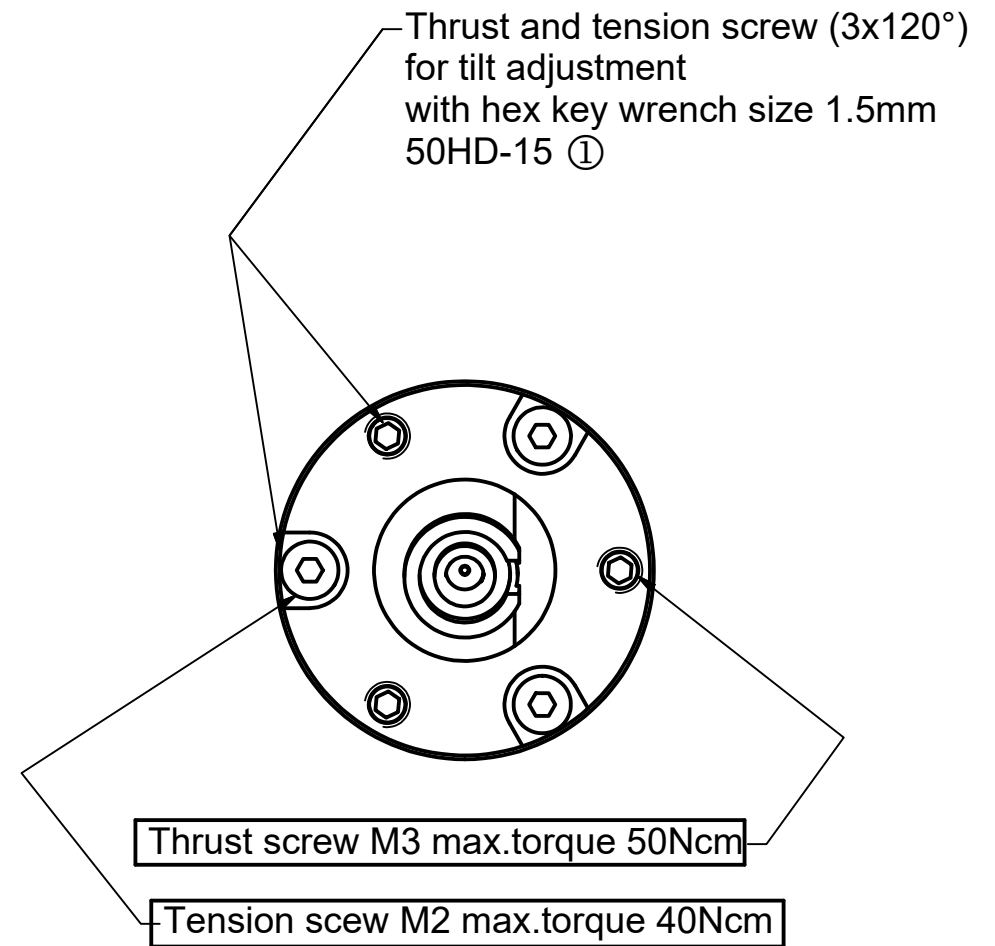
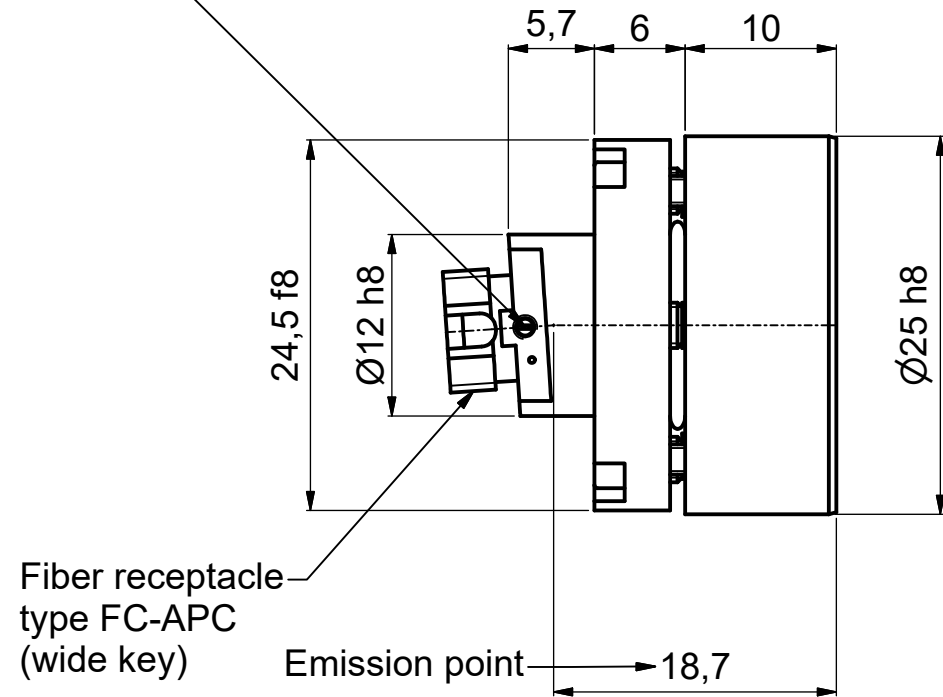


② ! Pin screw for additional locking of the fiber ferrule:
 - before pulling the FC-connector:
 unlock the pin screw.
 - before inserting the FC-connector:
 make sure the ferrule receptacle is not blocked
 by the pin screw !



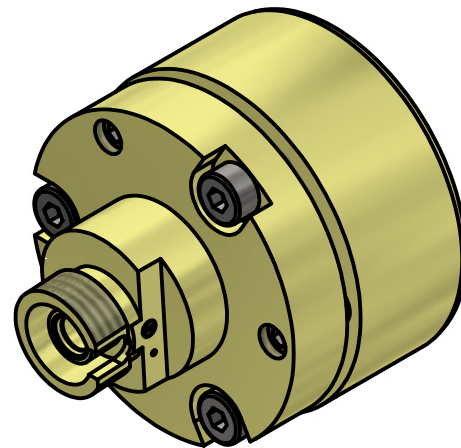
Tools for assembly and adjustment

hex-key size 1.5mm 50HD-15
 screw driver size 1.2mm 9D-12

①



②



For information only
 Not for manufacturing purposes

| | | | | | | |
|--|--|--|--|--------|------------------|---|
| Dimensions DIN EN ISO 14405 | | | | | Scale: 2:1 | |
| 25AM-4-FC | | | | | | |
| | | | | Date | Name | 25AM-4-FC FC Adapter w/o Optics, Ø 25 mm Customer Drawing |
| | | | | editor | 08.04.2020 Trapp | |
| | | | | exam. | | |
| | | | | free | | |
| Schäfter+Kirchhoff OPTICS, METROLOGY, AND PHOTONICS | | | | | | 9709-2052-0604 |
| File: 970920520604.idw | | | | | | Model: 970920520604.iam |
| | | | | | | Size: A3 Page: 1 |