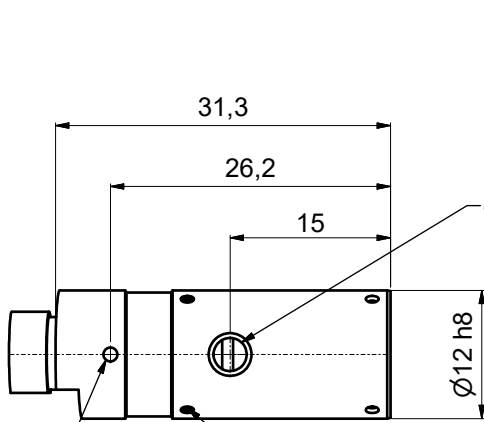
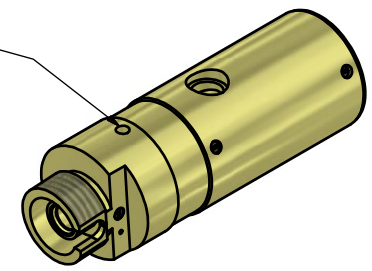


! Pin screw for additional locking of the fiber ferrule:-
 - before pulling the FC-APC-connector:
 unlock the pin screw.
 -before inserting the FC-APC-connector:
 make sure the ferrule is not blocked
 by the pin screw!
 (using screw-driver size 1.2mm 9D-12 ①)



bore hole Ø1.3 for flushing purposes



! Don't touch any other screws !

Tools for assembly and adjustment

screw driver size 1.2mm 9D-12 ①	eccentric-key 60EX-4 focal length ≤11mm ②	eccentric-key 60EX-5 focal length >11mm ③	optional (not included) adapter with thread for flush nozzle
--	---	---	---

For information only
 Not for manufacturing purposes

Dimensions DIN EN ISO 14405					Scale: 2:1
					60FC-4-XX-xx-XV
					Fiber collimator f'9 to 24 mm
					60FC-4-XX-xx-XV with flush hole
					Customer Drawing
					9709-2052-0600
					Page: 1
File: 970920520600.idw					Model: 970920520600.iam