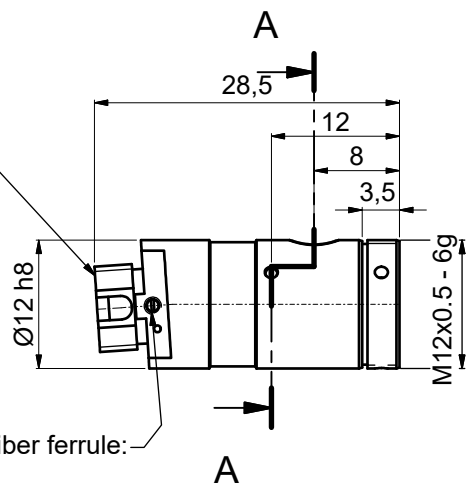
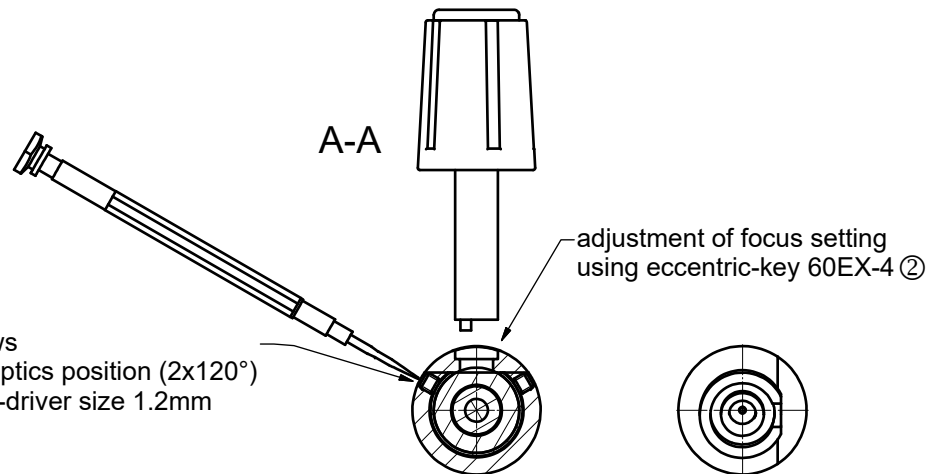


Fiber receptacle
type FC-APC
(wide key)

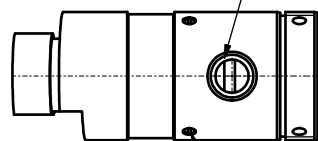


clamp screws
for locking optics position (2x120°)
using screw-driver size 1.2mm
9D-12 ①

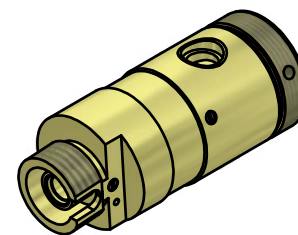


! Pin screw for additional locking of the fiber ferrule:
- before pulling the FC-APC-connector:
unlock the pin screw.
-before inserting the FC-APC-connector:
make sure the ferrule is not blocked
by the pin screw !
(using screw-driver size 1.2mm 9D-12 ①)

adjustment of focus setting
using eccentric-key 60EX-4 ②



clamp screws for locking optics position (2x120°)
using screw-driver size 1.2mm
9D-12 ①



! Don't touch any other screws !

Tools for assembly and adjustment

screw driver
size 1.2mm
9D-12

eccentric-key
60EX-4

①

②



Allgemein- toleranz ISO 2768 - f		Maßstab:	
Datum 04.10.2019		Name A. Trapp	
Bearb.		Gepr.	
Gepr.		Norm	
Schäfer&Kirchhoff OPTO-SENSORIK UND MESSTECHNIK OPTIK-ENTWICKLUNG/ELEKTRONIK/SENSORTECHNIK/OPTIKFIBRE		Fiber collimator f' 1.5 to 12mm 60FC-4-XX-OT02	
Datei: 970920520548.idw		9709-2052-0548	
Zust.		Blatt A3	
Änderungen		Blatt: 2	
Datum		Modell: 970920520548.iam	
Name			