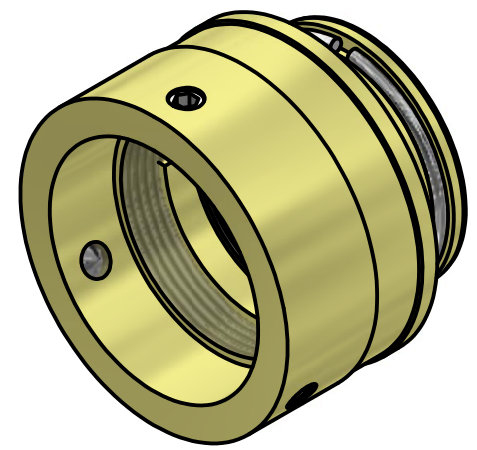
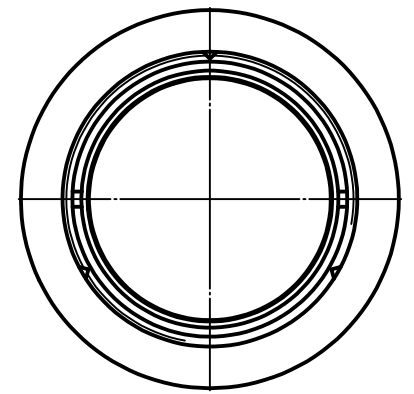
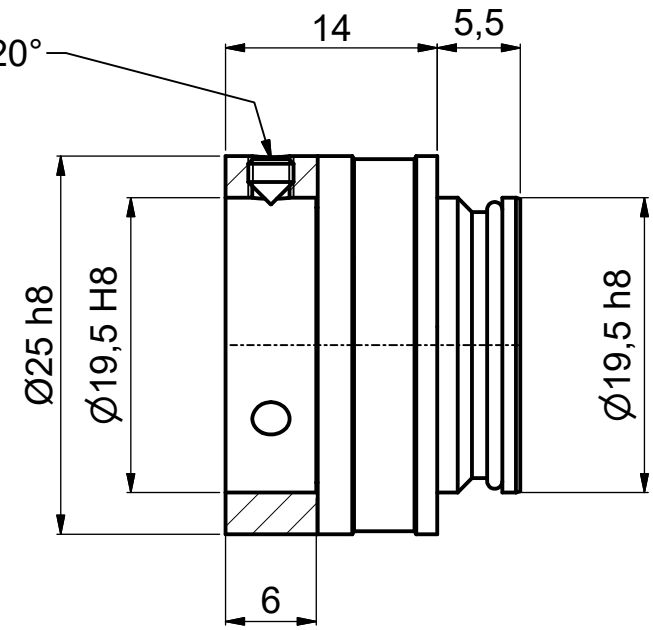


DIN914-M3x3/3x120°



Dimensions DIN EN ISO 14405	Scale: 2:1			
	Date		Name	
editor	04.12.2019	Trapp		13PF - Polarisation Filter 13PF-P-xxx-L Customer Drawing
exam.				
free				
Schäfter+Kirchhoff <small>OPTICS, METROLOGY, AND PHOTONICS GmbH</small>			9307-3009-0500	
File: 930730090500.idw			Model: 930730090500.iam	
				Size: A3 Page: 1