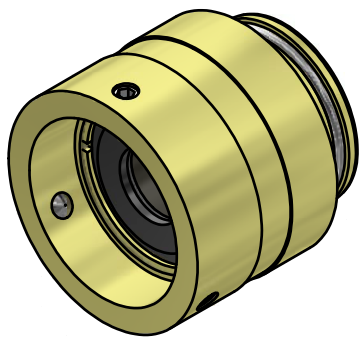
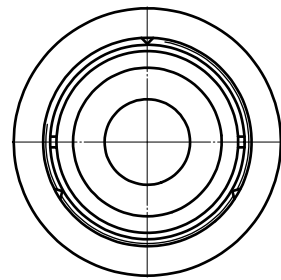
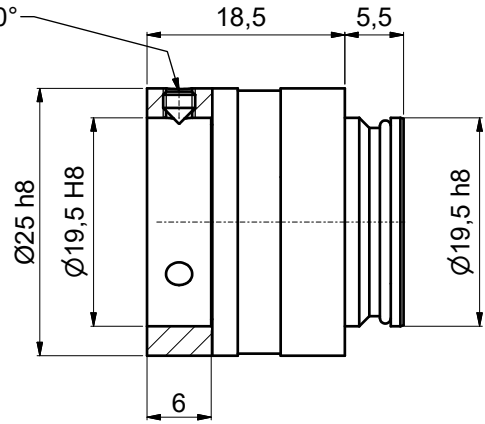


DIN914-M3x3/3x120°



Dimensions DIN EN ISO 14405		Scale: 2:1			
		Date		Name	
		04.12.2019		Trapp	
		editor			
		exam.			
		free			
				13PF - Polarisation Filter	
				13PF-C-xxx-L	
				Customer Drawing	
				9307-3009-0300	
				Schäfte+Kirchhoff OPTICS, METROLOGY, AND PHOTONICS 	
				File: 930730090300.idw Model: 930730090300.iam	
				Size: A3 Page: 1	