

A

B

C

D

E

F

A

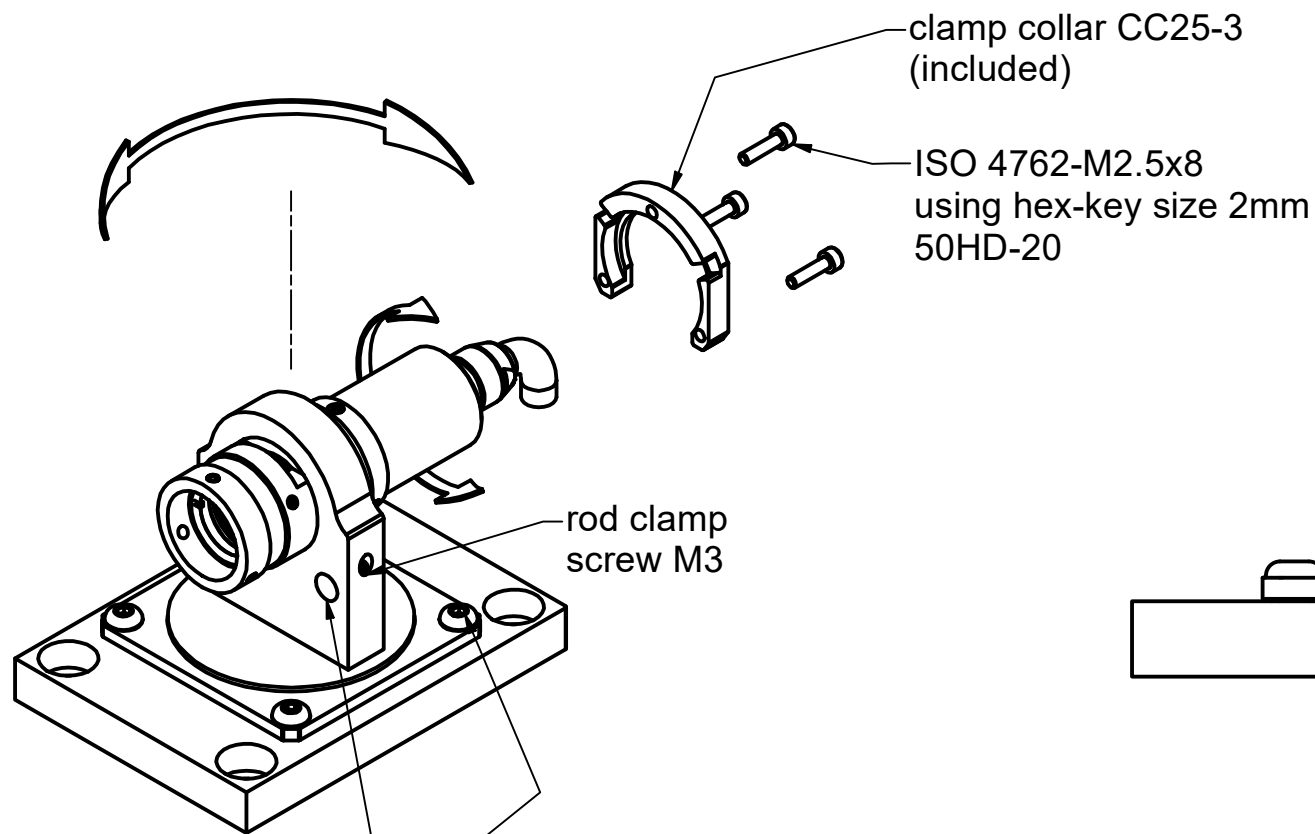
B

C

D

E

F



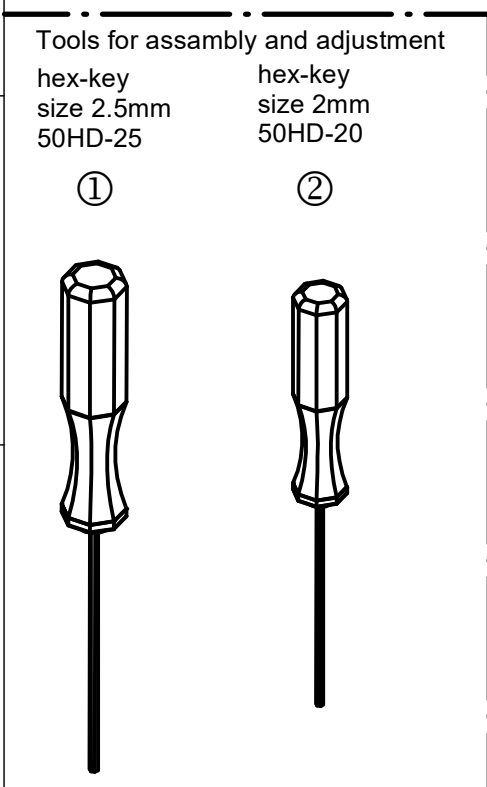
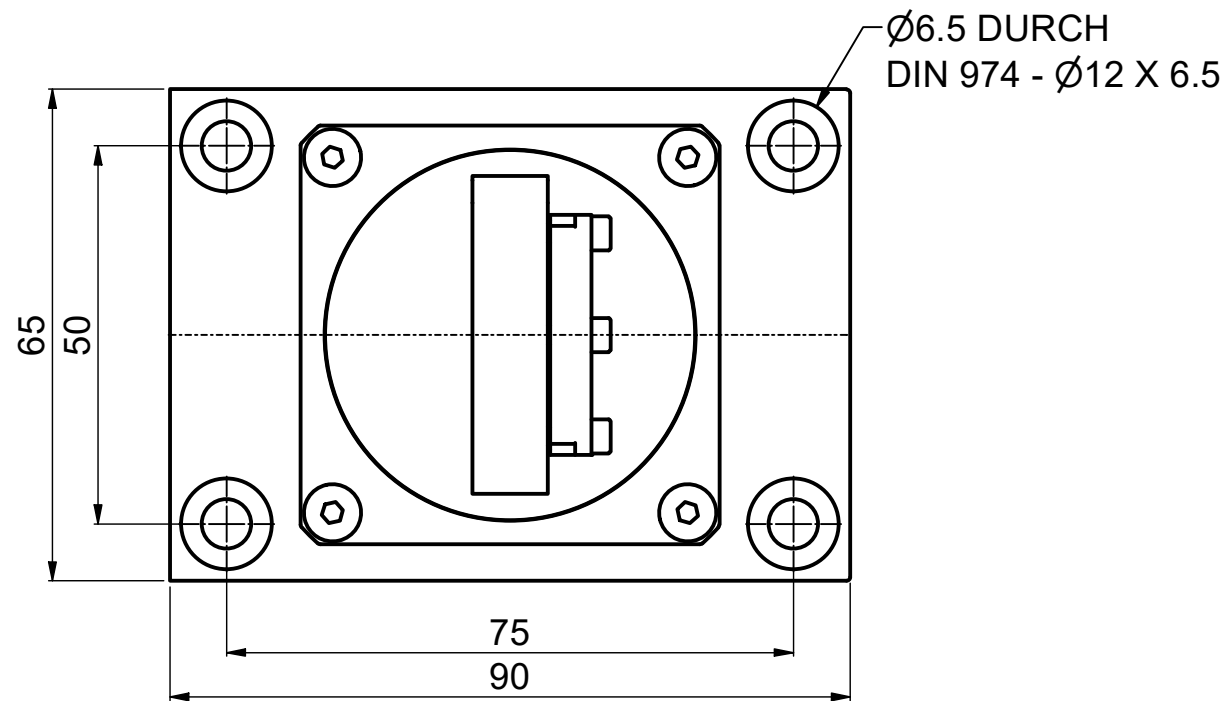
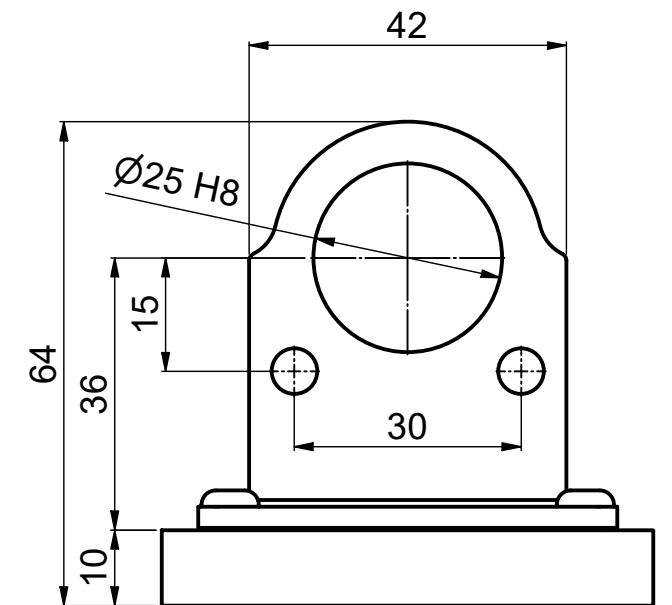
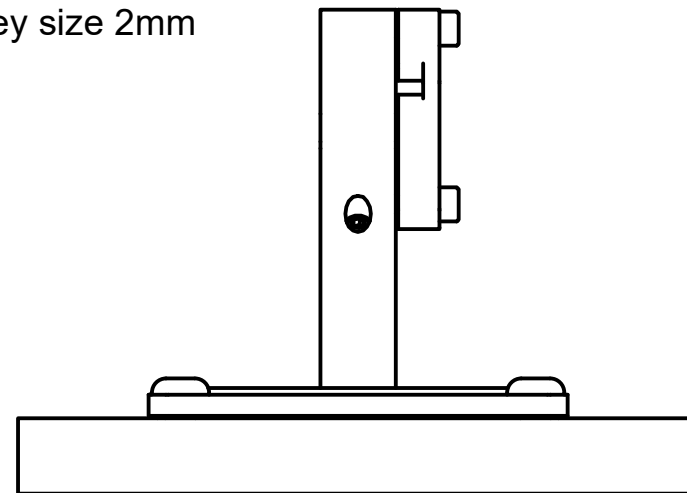
clamp collar CC25-3
(included)

ISO 4762-M2.5x8
using hex-key size 2mm
50HD-20

rod clamp
screw M3

Precision bore hole for Ø6 rods,
suitable for cage system

adjustment of angel setting
using hex-key size 2.5mm
50HD-25



For information only
Not for manufacturing purposes

Dimensions DIN EN ISO 14405	Scale: 1:1														
	13MK-25-36-10-M6														
<table border="1"> <thead> <tr> <th></th> <th>Date</th> <th>Name</th> </tr> </thead> <tbody> <tr> <td>editor</td> <td>19.09.2022</td> <td>Trapp</td> </tr> <tr> <td>exam.</td> <td></td> <td></td> </tr> <tr> <td>free</td> <td></td> <td></td> </tr> </tbody> </table>				Date	Name	editor	19.09.2022	Trapp	exam.			free			Mounting console, flat base for bread board Customer Drawing
	Date	Name													
editor	19.09.2022	Trapp													
exam.															
free															
Schäfte+Kirchhoff OPTICS, METROLOGY, AND PHOTONICS			9304-1209-0700 Size: A3 Page: 1												
File: 930412090700.idw			Model: 930412090600.iam												