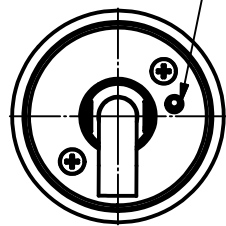


Laser power adjustment, turn clock wise to increase using screw-driver size 1.6mm 9D-16 ②

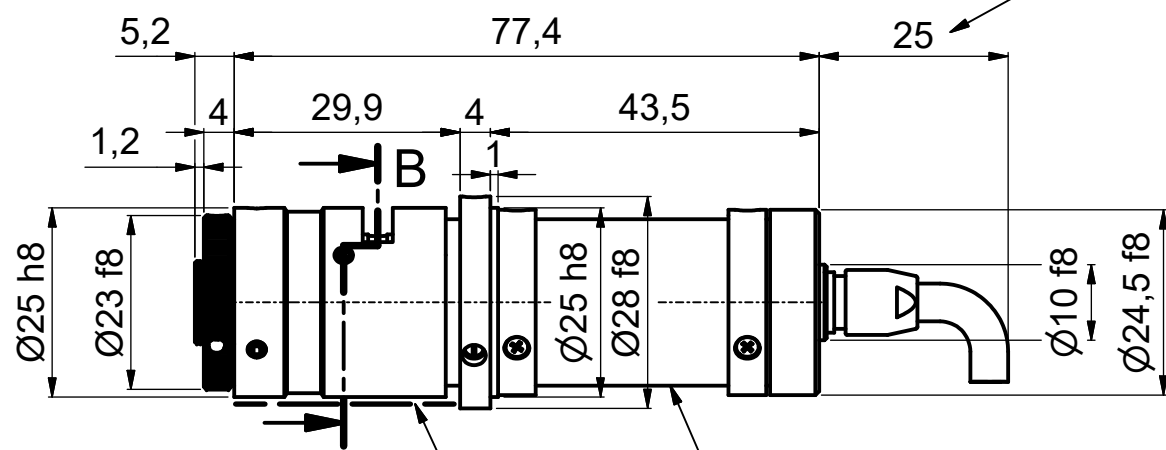


adjustment of collimation optics by rotation the optics using hex-key 50HD-15 ①

min.bend radius for cable

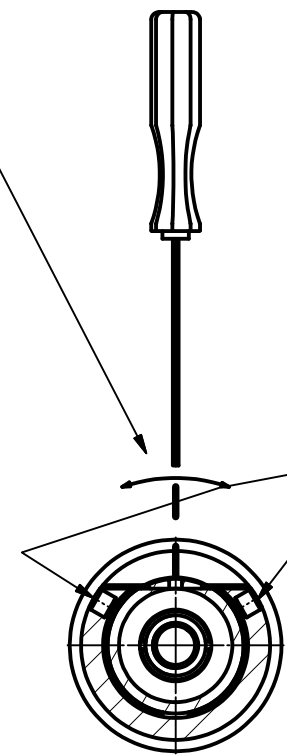
B-B

screws for locking optics position (2x120°) using hex-key 50HD-15 ①



Clamping region for mounting

Housing of electronics. Sensitive to radial force -not usable for attachment!



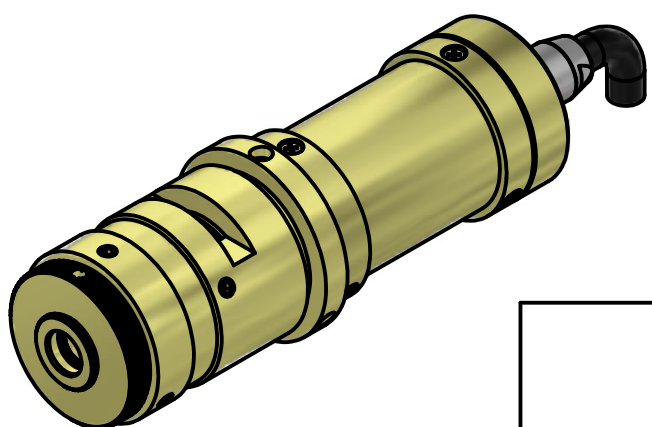
Tools for assembly and adjustment

hex-key size 1.5mm 50HD-15
screw driver size 1.6mm 9D-16

①



②



		Allgemeintoleranz ISO 2768 - f		Maßstab: 1:1	
		Datum		Name	
		Bearb. 27.11.2013		Trapp	
		Gepr.			
		Norm			
				LNC-5LT-56CM	
				Laser Diode Modules with Low Coherence	
				9304-1200-0094	
				Blatt A3	
				Blatt: 1	
Zust.	Änderungen	Datum	Name	Datei: 930412000094.idw	Model: 930412000094.iam