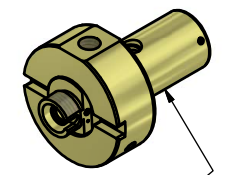
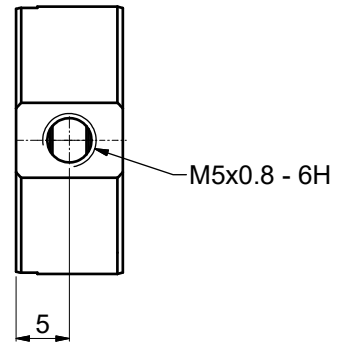
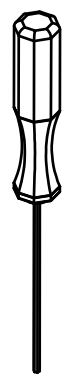


clamp screws M3 (2x120°)  
using hex-key size 1.5mm  
50HD-15

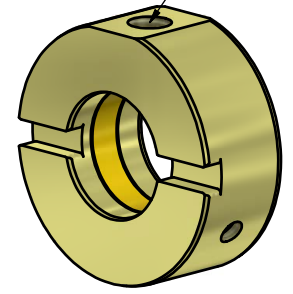


to use with  
fiber collimator  
series 60FC-...-XV

Tools for assembly  
and adjustment  
hex-key  
size 1.5mm  
50HD-15



thread M5 for flush nozzle  
or post with M5-thread-mount



For information only  
Not for manufacturing purposes

Dimensions DIN EN ISO 14405		Scale: 2:1			
Adapter 12AM25-M5				Adapter 12AM25-M5	
editor		Date		Name	
19.04.2021		Trapp		Adapter 12AM25-M5	
exam.		free		Customer Drawing	
Schäfter+Kirchhoff OPTICS, METROLOGY, AND PHOTONICS				9304-1084-0900	
File: 930410840900.idw				Model: 930410840900.iam	
				Size: A3 Page: 1	