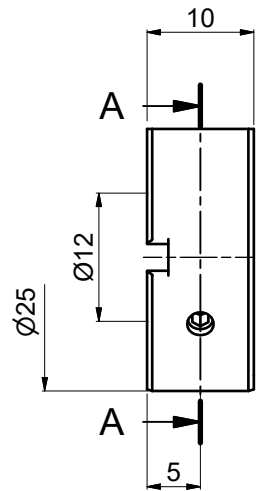
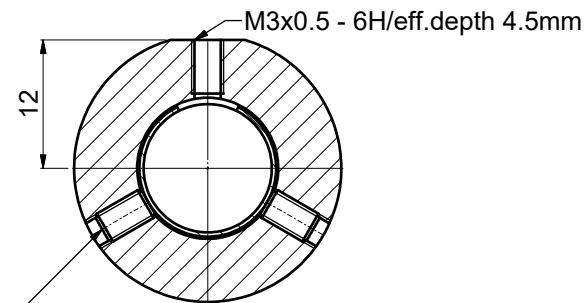


1 2 3 4 5 6 7 8

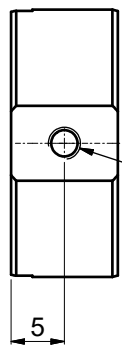
A
B
C
D
E
F



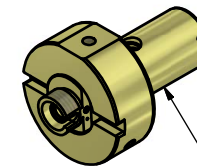
A-A



clamp screws M3 (2x120°)
using hex-key size 1.5mm
50HD-15



M3x0.5 - 6H

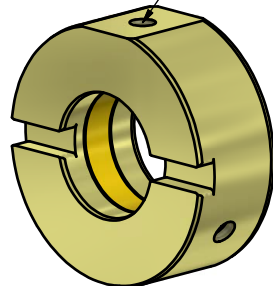


to use with
fiber collimator
series 60FC-...-XV

Tools for assembly
and adjustment
hex-key
size 1.5mm
50HD-15



thread M3 for flush nozzle
or post with M3-thread-mount



For information only
Not for manufacturing purposes

Dimensions DIN EN ISO 14405		Scale: 2:1			
Adapter 12AM25-M3				Date: 19.04.2021 Name: Trapp	
editor: 19.04.2021 Trapp exam.: free:				Adapter 12AM25-M3	
Customer Drawing				9304-1084-0700 Schäfte+Kirchhoff OPTICS, METROLOGY, AND PHOTONICS	
File: 930410840700.idw				Model: 930410840700.iam Size: A3 Page: 1	