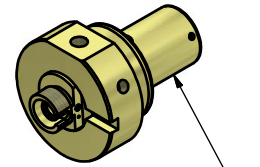
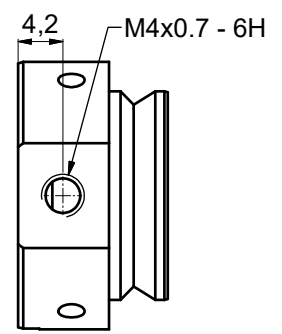
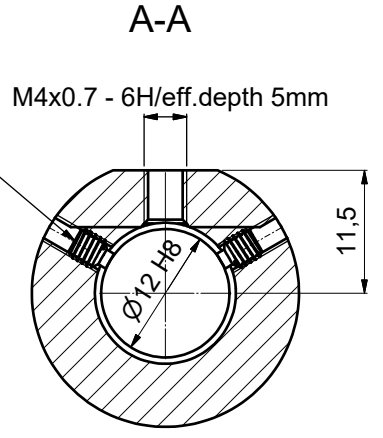
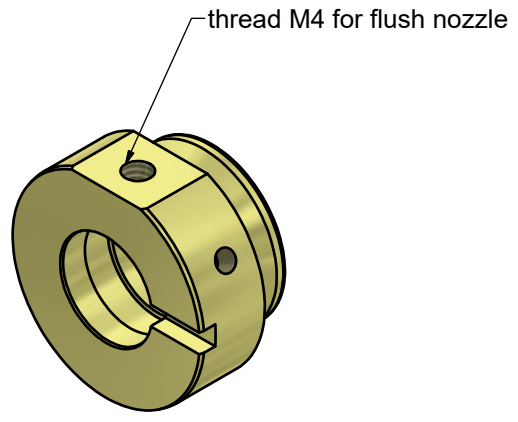
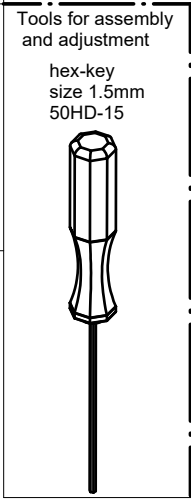


clamp screws with nylon-tip  
(2x120°)  
using hex-key size 1.5mm  
50HD-15



to use with  
fiber collimator  
series 60FC-...-XV



For information only  
Not for manufacturing purposes

Dimensions DIN EN ISO 14405		Scale: 2:1			
		12AM19.5-M4			
		Date	Name	Adapter 12AM19.5-M4	
		editor	19.03.2020 Trapp	with thread M4 for flush nozzle	
		exam.		Customer Drawing	
		free			
		Schäfter+Kirchhoff OPTICS, METROLOGY, AND PHOTONICS		9304-1084-0500	
		File: 930410840500.idw		Model: 930410840500.iam	
				Size: A3	
				Page: 1	