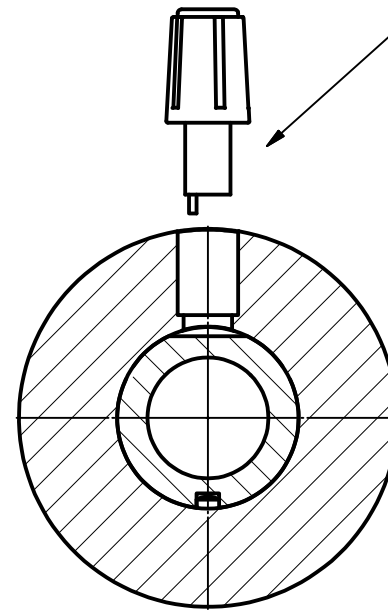
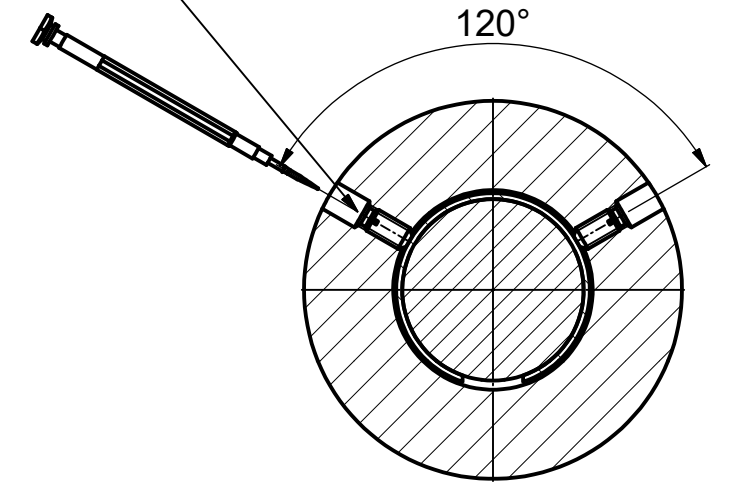


adjustment of collimation optics  
using eccentric key 60EX-4 ②



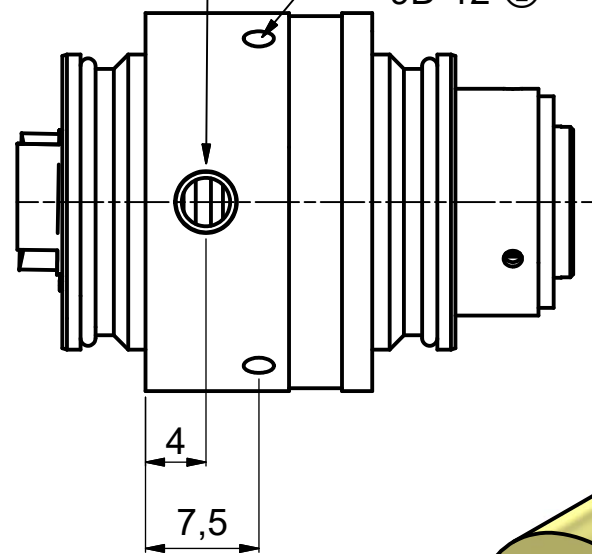
B-B

clamp screws  
for locking optics position (2x120°)  
using screw-driver size 1.2mm  
9D-12 ①



adjustment of collimation optics  
using eccentric-key 60EX-4 ②

clamp screws for locking optics position (2x120°)  
using screw-driver size 1.2mm  
9D-12 ①



Tools for assembly  
and adjustment

screw driver  
size 1.2mm  
9D-12 ①

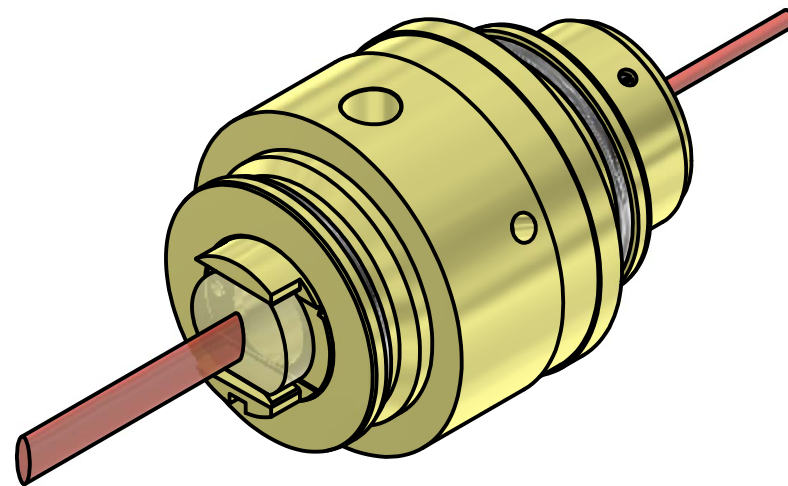
eccentric key  
60EX-4 ②

①

②



**! Don't touch any other screws !**



Dimensions DIN EN ISO 14405	Scale: 2:1		5AN-3-05
	Date		
	editor	22.11.2019	A.Trapp
	exam.		
	free		
Schäfter+Kirchhoff OPTICS, METROLOGY, AND PHOTONICS GmbH			9302-1039-0301
File: 930210390301.idw			Model: 930210390301.iam
			Size: A3 Page: 1