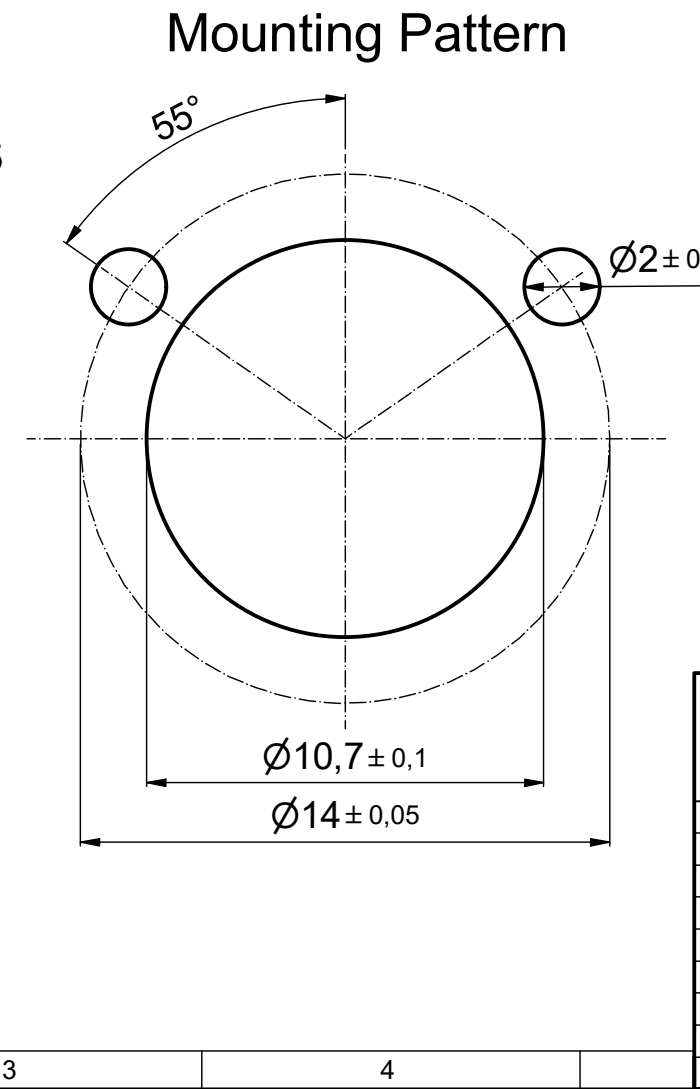
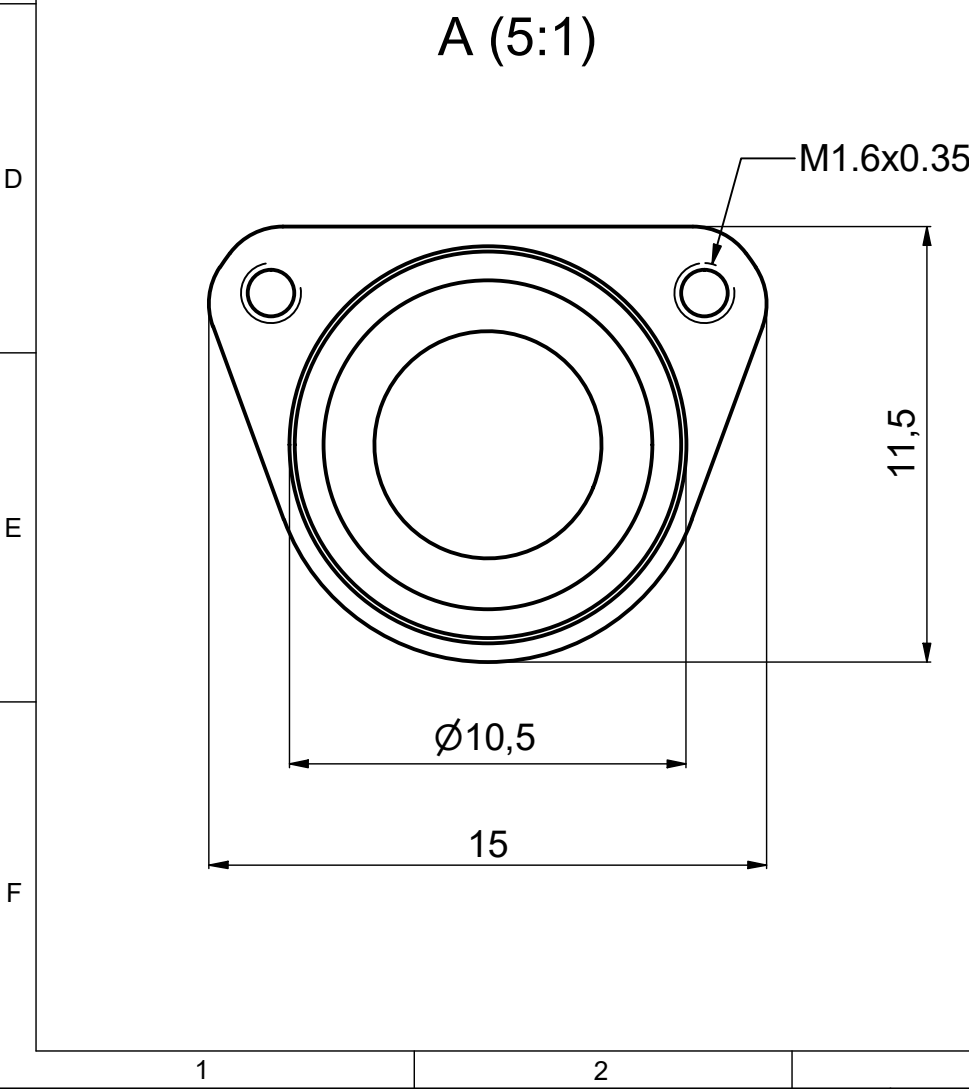


Fiber connector Typ FC      Fiber with 900µm buffer min. bend radius 15mm      Casing feed through      Fiber cable with 3mm jacket with Kevlar strain-relief min. bend radius 40mm      Fiber connector Typ FC



Dimensions DIN EN ISO 14405	Scale: 2:1		
	<b>Fiber Cable with Casing Feed-Through</b> Type CFT Customer Drawing		
	Date	Name	
	editor 09.04.2019	Lamott	
	exam.		
	free		
Schäfte+Kirchhoff OPTICS, METROLOGY, AND PHOTONICS			1308-1009-0800 Size: A3 Page: 1
File: 130810090800.idw			Model: 130810090800.iam