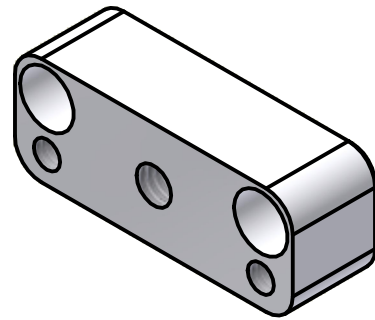
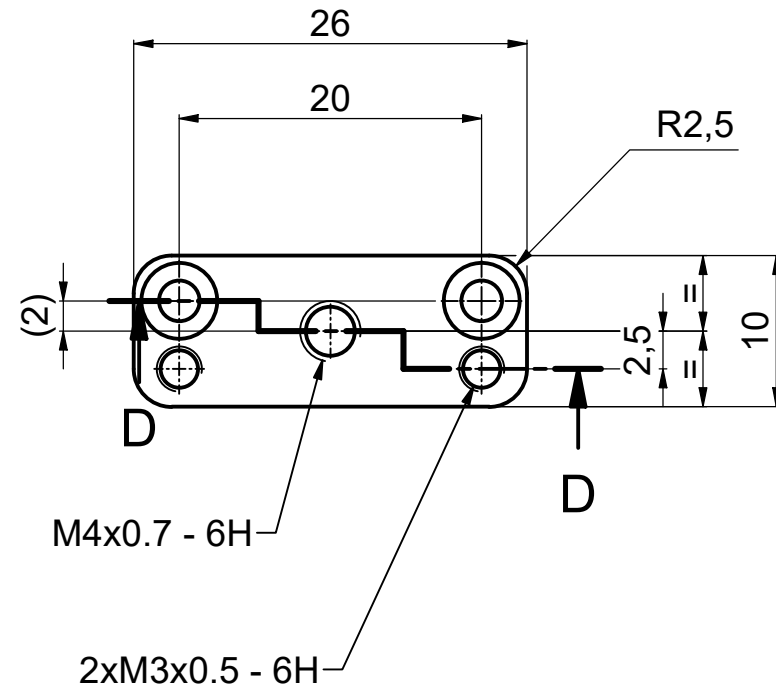
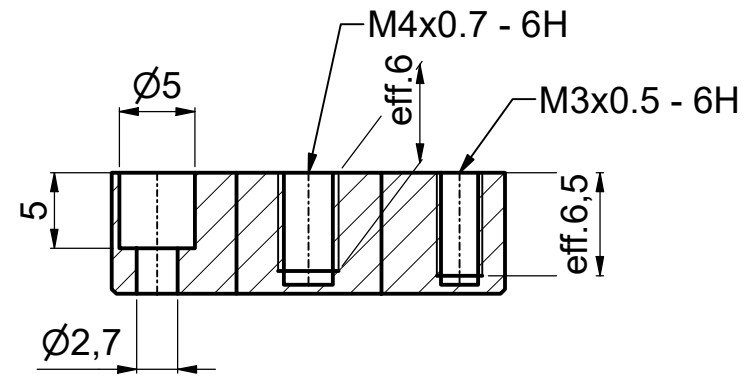


D-D (2 : 1)



Dimensions DIN EN ISO 14405	Scale: 2:1		121033												
<table border="1"> <thead> <tr> <th></th> <th>Date</th> <th>Name</th> </tr> </thead> <tbody> <tr> <td>editor</td> <td>14.02.2013</td> <td>Trapp</td> </tr> <tr> <td>exam.</td> <td></td> <td></td> </tr> <tr> <td>free</td> <td></td> <td></td> </tr> </tbody> </table>				Date	Name	editor	14.02.2013	Trapp	exam.			free			PA-AP-M4
	Date	Name													
editor	14.02.2013	Trapp													
exam.															
free															
Customer Drawing															
			0907-2190-1501												
File: 090721901501.idw			Model: 090721901501.ipt												
			Size: A3												
			Page: 2												