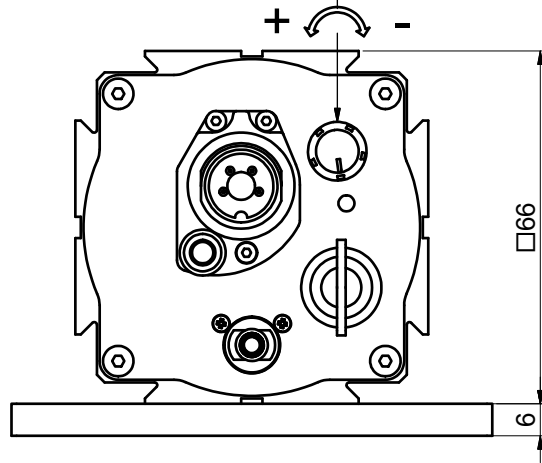


Potentiometer for Reduction of laser power output



190

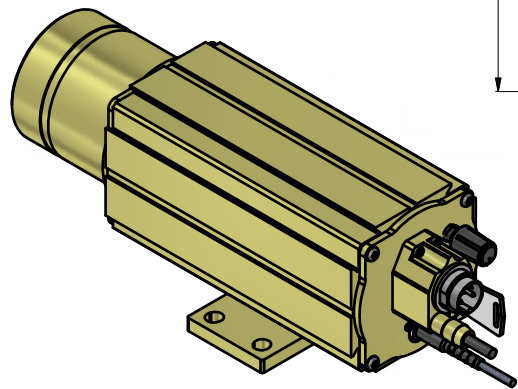
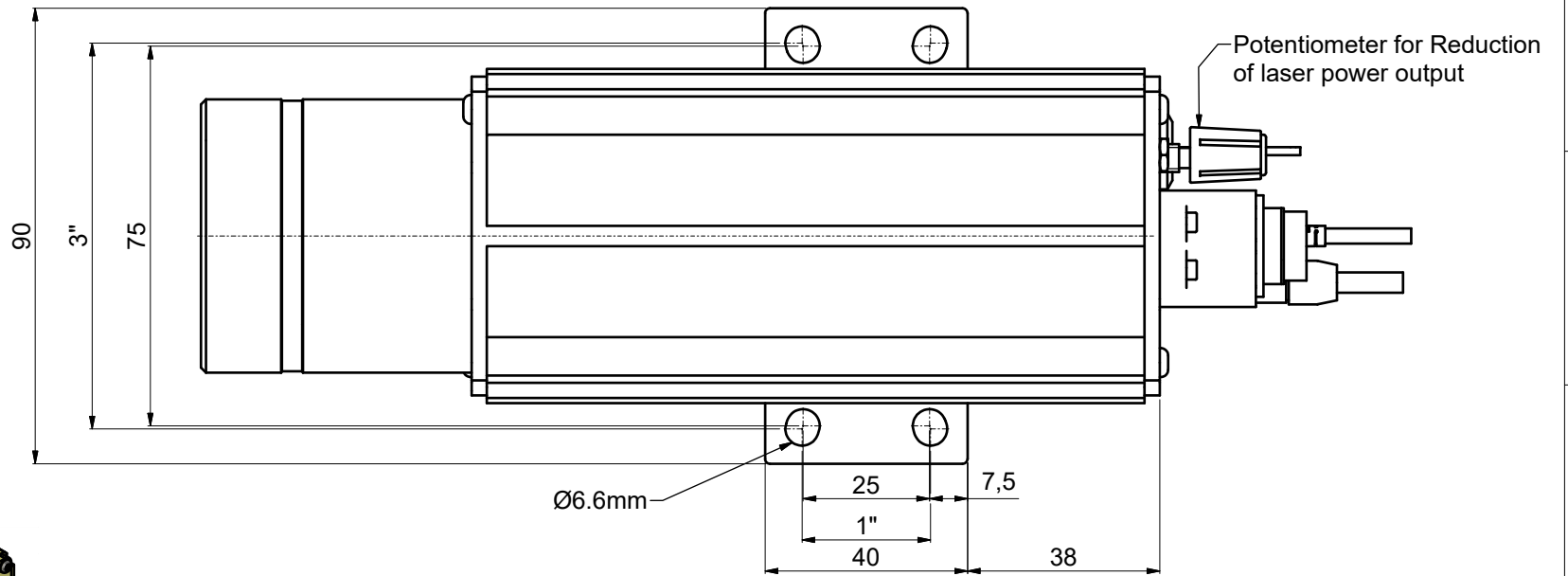
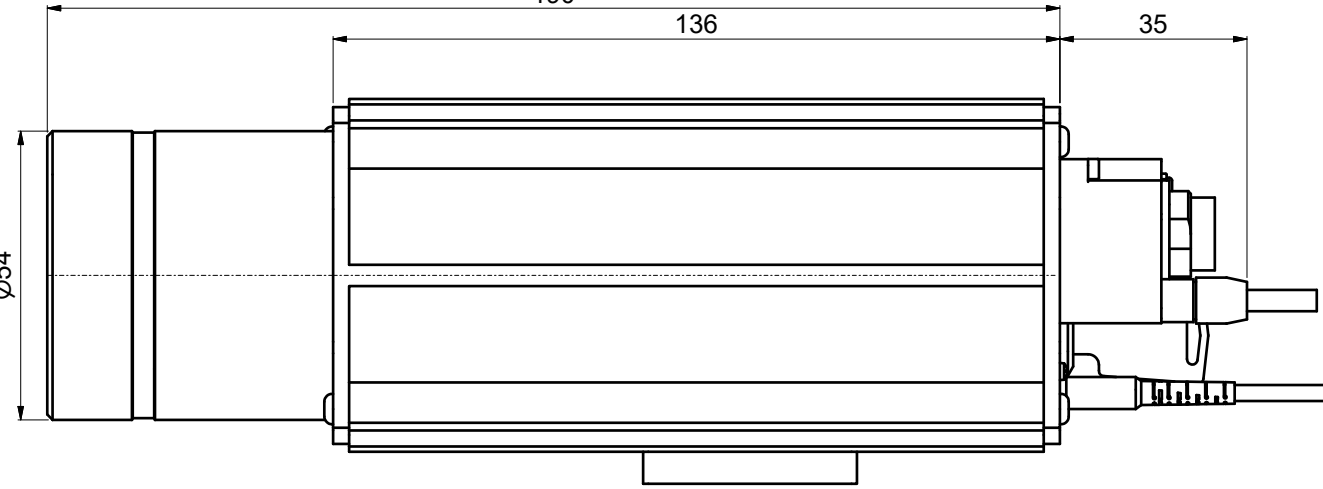
136

35

Ø54

166

6



For information only
Not for manufacturing purposes

Dimensions DIN EN ISO 14405		Scale: 1:1			
		Date	Name	51nanoFI-S Case Type S1 Customer Drawing	
		editor	29.07.2021 Trapp		
		exam.			
		free			
		Schäfter+Kirchhoff OPTICS, METROLOGY, AND PHOTONICS		0904-1009-0100	
		File: 090410090100.idw		Model: 090410090100.iam	
				Size: A3 Page: 1	